

Programming Menu Flowchart

default menu	<ul style="list-style-type: none"> day and time water temperature air temperature chlorinator setting salt level reason pump is running (not scheduled) inspect cell reason hi-speed is running (not scheduled) countdown time remaining heater control status system manual off check system error group active filter vsp speed/reason spa filter vsp speed/reason lights/aux speed/reason pH/ORP levels
settings menu	<ul style="list-style-type: none"> spa heater1 temperature pool heater1 temperature spa heater2 temperature pool heater2 temperature spa heater2 priority pool heater2 priority spa solar temperature pool solar temperature vsp speed settings superchlorinate spa chlorinator setting pool chlorinator setting aux colorlogic settings day and time backlit display light beeper teach wireless remote wireless channel
maintenance menu	<ul style="list-style-type: none"> pH calibration wizard clean probe wizard
timers menu	<ul style="list-style-type: none"> pool filter 1 or hi-speed 1 pool filter 2 or lo-speed 1 pool filter 3 or hi-speed 2 pool filter 4 or lo-speed 2 spa filter 1 or hi-speed spa filter 2 or lo-speed spa lights aux1 aux2 valve3 valve4 superchlorinate
PS-4 only (Aux1-Aux6 for PS-8 Aux1-Aux14 for PS-16)	<ul style="list-style-type: none"> aux1 aux2 valve3 valve4 superchlorinate
diagnostic menu	<ul style="list-style-type: none"> chlorinator diagnostics instant salt pH/orp levels flow switch cell temperature sensor water/pool sensor spa sensor air sensor solar sensor vsp speed/power main software revision display software revision expansion unit software revision chemistry sense module software vsp software revision RF base software revision 6 button spa side software revision digital spa side software revision colorlogic module software revision colorlogic light software revision
configuration menu	<ul style="list-style-type: none"> chlorinator chemistry config Wizard pool/spa filter spa filter heater1 heater2 solar colorlogic external input active state lights aux1 aux2 valve3 valve4 6 button spa side remote digital spa side remote remote menus 7-day or weekend/weekday timeclock 12 hour or 24 hour time format °F or °C vsp speed (% or rpm) reset colorlogic to default reset to default
PS-4 only (Aux1-Aux6 for PS-8 Aux1-Aux14 for PS-16)	<ul style="list-style-type: none"> aux1 aux2 valve3 valve4 6 button spa side remote digital spa side remote remote menus 7-day or weekend/weekday timeclock 12 hour or 24 hour time format °F or °C vsp speed (% or rpm) reset colorlogic to default reset to default

□ denotes conditional items

Pro Logic

Automation and Chlorination



Installation Manual

for models

PL-PS-4
PL-PS-8
PL-PS-16

PL-PS-8-V
PL-PS-16-V



620 Division St.
Elizabeth, NJ 07207




092330D RevG
Copyright © 2010 Hayward



www.haywardnet.com

IMPORTANT SAFETY INSTRUCTIONS

When using this electrical equipment, basic safety precautions should always be followed, including the following:

- **READ AND FOLLOW ALL INSTRUCTIONS**
-  **WARNING: Disconnect all AC power during installation.**
-  **WARNING: Water in excess of 100 degrees Fahrenheit may be hazardous to your health.**
-  **WARNING: To reduce the risk of injury, do not permit children to use this product unless they are closely supervised at all times.**
- A green colored terminal marked “Grounding” is located inside the wiring compartment. To reduce the risk of electric shock, this terminal must be connected to the grounding means provided in the electric supply service panel with a continuous copper wire equivalent in size to the circuit conductors supplying the equipment.
- One bonding lug for US models (two for Canadian models) is provided on the external surface. To reduce the risk of electric shock, connect the local common bonding grid in the area of the swimming pool, spa, or hot tub to these terminals with an insulated or bare copper conductor not smaller than 8 AWG US / 6 AWG Canada.
- All field installed metal components such as rails, ladders, drains, or other similar hardware within 3 meters of the pool, spa or hot tub shall be bonded to the equipment grounding bus with copper conductors not smaller than 8 AWG US / 6 AWG Canada.
- **SAVE THESE INSTRUCTIONS**

LIMITED WARRANTY (effective 04/01/09) Hayward/Goldline warrants its Pro Logic and E-Command pool automation products as well as its Aqua Rite, Aqua Rite Pro, Aqua Plus and SwimPure chlorination products to be free of defects in materials and workmanship, under normal use and service, for a period of three (3) years. Hayward/Goldline also warrants its Aqua Trol chlorination products to be free of defects in materials and workmanship, under normal use and service for a period of one (1) year. These warranties are applicable from the initial date of installation on private residential swimming pools in the US and Canada.

Hayward/Goldline warrants all the above-identified pool automation and chlorination products installed on commercial swimming pools and on swimming pools outside of the US and Canada for a period of one (1) year. Likewise, Hayward/Goldline warrants all accessories and replacement parts for the above-identified pool automation and chlorination products for a period of one (1) year. Each of these warranties is not transferable and applies only to the original owner.

Proof of purchase is required for warranty service. If written proof of purchase is not provided, the manufacturing date code will be the sole determinant of the date of installation of the product. To obtain warranty service or repair, please contact the place of purchase or the nearest Hayward/Goldline authorized warranty service center. For more information on authorized service centers please contact the Hayward/Goldline Technical Service Support Center (61 Whitecap Road, North Kingstown RI, 02852) or visit the Goldline web site at www.goldlinecontrols.com or the Hayward website at www.haywardnet.com.

WARRANTY EXCLUSIONS:

1. Material supplied or workmanship performed by others in process of installation.
2. Damage resulting from improper installation including installation on pools larger than the product rating.
3. Problems resulting from failure to install, operate or maintain the product(s) in accordance with the recommendations contained in the owners manual(s).
4. Problems resulting from failure to maintain pool water chemistry in accordance with the recommendations in the owners manual(s).
5. Problems resulting from tampering, accident, abuse, negligence, unauthorized repairs or alternations, fire, flood, lightning, freezing, external water, degradation of natural stone used in or immediately adjacent to a pool or spa, war or acts of God.

DISCLAIMER. THE EXPRESS LIMITED WARRANTIES ABOVE CONSTITUTE THE ENTIRE WARRANTIES WITH RESPECT TO THE ABOVE-IDENTIFIED HAYWARD/GOLDLINE POOL AUTOMATION AND CHLORINATION PRODUCTS AND IS IN LIEU OF ALL OTHER WARRANTIES, EXPRESS OR IMPLIED, INCLUDING WARRANTIES OF MERCHANTABILITY OR FITNESS FOR A PARTICULAR PURPOSE. THESE WARRANTIES GIVE YOU SPECIFIC LEGAL RIGHTS, AND YOU MAY ALSO HAVE OTHER RIGHTS OF EQUIPMENT, LOST PROFITS OR REVENUE, COSTS OF RENTING REPLACEMENTS, AND OTHER ADDITIONAL EXPENSES, EVEN IF THE SELLER HAD BEEN ADVISED OF THE POSSIBILITY OF SUCH DAMAGES. SOME STATES DO NOT ALLOW THE EXCLUSION OF LIMITATION OF INCIDENTAL OR CONSEQUENTIAL DAMAGES, SO THE ABOVE LIMITATION OR EXCLUSION MAY NOT APPLY TO YOU.

NO WHOLESALER, AGENT, DEALER, CONTRACTOR OR OTHER PERSON IS AUTHORIZED TO PROVIDE, SUPPLEMENT OR MODIFY ANY WARRANTY ON BEHALF OF HAYWARD/GOLDLINE.

THESE WARRANTIES ARE VOID IF THE PRODUCT HAS BEEN ALTERED IN ANY WAY AFTER LEAVING THE FACTORY. FOR THE ABOVE-IDENTIFIED CHLORINATION PRODUCTS, THESE WARRANTIES ALSO ARE VOID IF, DURING THE WARRANTY PERIOD, YOU USE A REPLACEMENT CHLORINATOR CELL OTHER THAN AN UNMODIFIED, NEW HAYWARD/GOLDLINE CHLORINATOR CELL PURCHASED FROM HAYWARD/GOLDLINE. IF A WARRANTY BECOMES VOID, YOU STILL MAY PURCHASE SERVICE AND/OR TELEPHONE TECHNICAL SUPPORT AT THE THEN CURRENT TIME AND MATERIAL RATES.

Table of Contents

Introduction	Before You Begin.....	1
	Installation Steps.....	2
1. Preparing Pool/Spa Water	General Water Chemistry.....	3
	Salt.....	4
2. Mounting Equipment	Pro Logic Control Center.....	5
	PS-16 Expansion Unit.....	6
	Temperature Sensors.....	6
	Optional Chlorination Function.....	6
	Optional AQL-CHEM ORP and pH Sensing Kit.....	6
	Optional AQL-COLOR-MODHV Network Module.....	6
	Optional Wired Remote Display/Keypad.....	7
	Optional Wireless Remote Display/Keypad.....	7
	Optional Base Station.....	7
Optional Valve Actuators.....	7	
3. Plumbing	“Standard” Pool/Spa Configuration.....	8
	“Dual Equipment” Pool/Spa - Separate Heaters.....	9
	“Dual Equipment” Pool/Spa - Shared Heaters.....	10
	Turbo Cell.....	11
	Flow Switch.....	11
4. Electrical Wiring	Main Service.....	12
	Grounding and Bonding.....	12
	Circuit Breaker Installation and Wiring.....	12
	General Purpose Outlet.....	12
	Pro Logic Control Power.....	13
	High Voltage Pool Equipment.....	13
	Low Voltage Wiring.....	15
5. Configuration	Group Function.....	22
	Configuration Menus.....	24
	Maintenance Menu.....	40
6. System Startup and Checkout	Before Startup.....	41
	Heater Checkout.....	41
	Service Mode.....	42
7. Warranty	Pro Logic Limited Warranty.....	44

Introduction

Before You Begin

What's Included

Before attempting to install the Pro Logic system, check that the following components have been included in the package:

Pro Logic Electronics Unit

(3) Temperature sensors with 15 ft. (5m) cable, hose clamp

Pro Logic Expansion Unit (PS-16 only)

What's NOT Included

Some of the additional items that you may need to complete an installation include:

Circuit breakers

None are included with control—see page 12 and inside of door for suitable breakers

Wire

4-conductor cable (electronics unit to remote display/keypad)

Wire/conduit for 100A service from main panel to Pro Logic

Wire/conduit for filter pump and other high voltage loads

Wire for bonding

Miscellaneous

Utility electrical outlet and weatherproof cover (for mounting on side of Pro Logic)

Mounting hardware (screws, etc.) for mounting Pro Logic and remote display/keypad

Valves (use standard Hayward, Pentair/Compool, or Jandy valves)

Additional valve actuators

Accessory Products - Order Separately

T-CELL-3	Pick N Mix™ Chlorinator Cell (for pools up to 15k gallons)
T-CELL-9	Pick N Mix Chlorinator Cell (for pools up to 25k gallons)
T-CELL-15	Pick N Mix Chlorinator Cell (for pools up to 40k gallons)
P-KIT	Chlorination Plumbing Kit containing flow switch and cell unions
AQL-CHEM	ORP & pH sense kit
AQL-CHEM2(-240)	pH dispense kit
AQL2-Wx-PS-4	Wired Remote Display (see note 1)
AQL2-Wx-PS-8	Wired Remote Display (see note 2)
AQL2-Wx-PS-16	Wired Remote Display (see note 3)
AQL2-POD	Handheld Wireless Remote Control (see note 4)
AQL2-Wx-RF-PS-4	Wireless Wallmount Remote Control (see notes 1, 4, 5)
AQL2-Wx-RF-PS-8	Wireless Wallmount Remote Control (see notes 2, 4, 5)
AQL2-Wx-RF-PS-16	Wireless Wallmount Remote Control (see notes 3, 4, 5)
AQL2-Tx-RF-PS-4(x=W/B)	Wireless Table Top Remote Control, specify color - white or black (see notes 1,4,5)
AQL2-Tx-RF-PS-8(x=W/B)	Wireless Table Top Remote Control, specify color - white or black (see notes 2,4,5)
AQL2-Tx-RF-PS-16(x=W/B)	Wireless Table Top Remote Control, specify color - white or black (see notes 3,4,5)
AQL-SS-6B-x(x=W/B)	Wired Spa Side 6 Function Remote Control, 150ft cable, spec. color (white or black)
AQL-SS-D-x(x=W/B)	Wired Spa Side 8 Function Remote Control, 150ft cable, spec. color (white or black)
AQL2-SS-RF	Wireless Spa Side Remote Control (see note 4)
AQL2-BASE-RF	Base Station
AQL-DIM	Light Dimmer Relay
AQL-COLOR-MODHV	ColorLogic Network Module for 120V Generation 4 ColorLogic lights
GVA-24	Valve Actuator
V&A-xx	Valve & Actuator (xx=1P (1.5" pos. seal), -2P (2" pos. seal))
GLX-PC-12-KIT	10K thermistor sensor w/15' leads, (necessary if both solar <i>and</i> dual equipment is desired)

Notes:

1. for use with PS-4 model only
2. for use with PS-8 model only
3. for use with PS-16 model only
4. requires base station AQL2-BASE-RF
5. 9V wall plug-in power supply included

- The display will periodically indicate that the filter pump is on for heater cooldown and show the minutes remaining.
- The pump will automatically turn off at the end of the 5 minute heater cooldown period.

For more detailed instructions on control and operation of the Pro Logic system, refer to the Operation Manual.

Service Mode

Service mode disables all automatic control operation and is intended to be used when servicing the pool system. To enter service mode, push the SERVICE button once on the main unit keypad. This will initially turn all outputs off and then allow you to turn outputs on/off manually at the main display (only). In service mode, the buttons on the optional remote display/keypad and the optional spa side remote will turn outputs off, but will not turn any output on. Heater control outputs and solar control outputs are prevented from turning on if the water temperature exceeds 104°F (40°C).

Pushing the SERVICE button again will enter a timed service mode. Service operation as described above will continue for 3 hours, then automatically return to normal operation.

Push the SERVICE button once more to exit out of Service mode.

6. System Startup and Checkout

Before Startup

Before starting the Pro Logic for the first time, be sure that the following items have been completed:

1. Pool/spa chemicals are within the recommended levels according to the chart on page 3.
2. Pool/spa salt level is between 2700 – 3400 PPM.
3. Properly rated circuit breakers are installed in the Pro Logic subpanel.
4. All wiring is performed according to NEC and local codes.
5. The Pro Logic is properly grounded and bonded.
6. The Pro Logic is properly configured to control all desired functions.

Program Automatic Operation

Refer to the programming flow chart on the back cover of this manual for a listing of the available menus and the items included in each menu.

Settings Menu

- Heater(s) and/or solar thermostat settings
- Chlorinator settings
- Day and Time

Timers Menu

- Timeclock and/or Countdown timer settings

Heater Checkout

Follow these instructions to verify that the Pro Logic is properly controlling the heater.

1. Check that the Pro Logic is calling for the heater to turn on as indicated by the “Heater” LED being illuminated. If the “Heater” LED is illuminated, go directly to step 2; if not, then check the following:
 - The heater is enabled (Configuration Menu/Heater Config.).
 - The heater temperature setting is at least 2°F greater than the water temperature (Settings Menu / Pool Heater & Spa Heater).
 - The filter pump is running.
 - If the pool has solar heat and the solar priority feature is enabled (Configuration Menu/Solar Config) then solar must be off in order for the heater to fire. The easiest way to force solar off is to go to the Settings Menu / Pool Solar & Spa Solar and temporarily lower the temperature settings below the current water temperature.
2. Check that the heater is running. If not, then check:
 - Power is supplied to the heater.
 - The Pro Logic control output is properly connected to the heater control (see ”Heater Control” wiring, page 15).
 - Some heaters also have internal switches or jumpers that have to be set correctly for remote control operation—refer to the heater manual and also “Heater Control” (page 15).
 - Heater is turned on (“Kill Switch” is in the “ON” position).
 - If a heater bypass valve is installed, check that water is flowing through the heater.
 - The heater temperature setting is set as high as possible (usually 104°F/40°C). Also note that some heat pumps actually have be set to the lowest possible temperature.
3. Once the heater is running, you can verify the “heater cooldown” feature (optional - see Configuration Menu/ Heater Config.) is operating properly:
 - Press the “Filter” button once (for 2 speed pumps, this may require 2 pushes of the “Filter” button).
 - The heater should turn off (“Heater” LED off) and the “Filter” LED will flash to indicated heater cooldown is active.

NOTE: Before installing this product as part of a saline water purification system in a pool or spa using natural stone for coping or for immediately adjacent patios/decking, a qualified stone installation specialist should be consulted regarding the appropriate type, installation, sealant (if any) and maintenance of stone used around a saline pool with electronic chlorine generator in your particular location and circumstances.

NOTE: The use of dry acid (sodium bisulfate) to adjust pool pH is discouraged especially in arid regions where pool water is subject to excessive evaporation and is not commonly diluted with fresh water. Dry acid can cause a buildup of by-products that can damage your chlorinator cell.

Installation Steps

Details on each installation step are presented on the following pages:

1. Prepare the pool water (page 3)
 - General Water Chemistry
 - Salt
2. Mounting the equipment (page 5)
 - Pro Logic main unit
 - Temperature sensors
 - Remote display/keypad (optional)
 - Valve actuators (if applicable)
3. Plumbing (page 8)
 - General Pool Equipment
 - Chlorinator Turbo Cell
 - Flow Switch
4. Electrical Wiring (page 12)
 - Main service
 - Grounding and bonding
 - Circuit breakers
 - Pro Logic control power
 - High Voltage pool equipment
 - Low voltage wiring (temperature sensors, flow switch, etc.)
5. Pro Logic control configuration (program desired control operation) (page 22)
6. System Startup and checkout (page 41)

1. Preparing Pool/Spa Water

General Water Chemistry

Salt is required only if you are using the chlorinator features on the Pro Logic Control. If you are NOT using the chlorinator, it is recommended that you follow all of the other chemistry recommendations besides salt. Refer to the description of the Pro Logic configuration menu for information on enabling/disabling the chlorinator (see page 24).

Water Chemistry

The table below summarizes the levels that are recommended by the Association of Pool and Spa Professionals (APSP). The only special requirements for the Pro Logic are the salt level and stabilizer.

CHEMICAL	IDEAL LEVELS
Salt	2700 to 3400 ppm
Free Chlorine	1.0 to 3.0 ppm
pH	7.2 to 7.8
Cyanuric Acid (Stabilizer)	60 to 80 ppm (80 ppm best)
Total Alkalinity	80 to 120 ppm
Calcium Hardness	200 to 400 ppm
Metals	0 ppm
Saturation Index	-.2 to .2 (0 best)

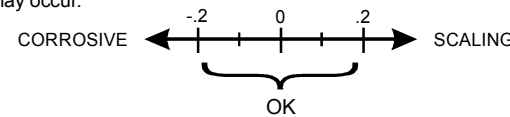
Saturation index

The saturation index (Si) relates to the calcium and alkalinity in the water and is an indicator of the pool water "balance". Your water is properly balanced if the Si is 0 ± 0.2 . If the Si is below -0.2 , the water is corrosive and plaster pool walls will be dissolved into the water. If the Si is above $+0.2$, scaling and staining will occur. Use the chart below to determine the saturation index.

$$Si = pH + Ti + Ci + Ai - 12.1$$

°C	°F	Ti	Calcium Hardness	Ci	Total Alkalinity	Ai
12	53	.3	75	1.5	75	1.9
16	60	.4	100	1.6	100	2.0
19	66	.5	150	1.8	150	2.2
24	76	.6	200	1.9	200	2.3
29	84	.7	250	2.0	250	2.4
34	94	.8	300	2.1	300	2.5
39	103	.9	400	2.2	400	2.6
			600	2.4	600	2.8
			800	2.5	800	2.9

How to use: Measure pool pH, temperature, calcium hardness, and total alkalinity. Use the chart above to determine Ti, Ci, and Ai from your measurements. Insert values of pH, Ti, Ci and Ai into the above equation. If Si equals .2 or more, scaling and staining may occur. If Si equals -.2 or less corrosion or irritation may occur.



The pool's chemistry must be balanced BEFORE activating the Pro Logic's optional chlorinator function. NOTE: If the pool does not have new water, add metal remover and non-copper based algicide to the pool, per manufacturer's instructions. This ensures a quick, troublefree transfer to the Pro Logic system.

if any output is configured as a variable speed pump

VSP Speed
%

- + - Toggle between % and RPM
- <> Move to previous/next configuration menu

This is the unit of measure for displaying the speed of the variable speed pump. Select % of maximum speed (3450 RPM) or revolutions per minute (RPM).

if ColorLogic Network Module is detected

Reset ColorLogic to Default Press +

- + Initiate reset of ColorLogic configuration parameters
- <> Move to previous/next configuration menu (config. not reset)

Are you sure? + to proceed

- + Reset all configuration parameters
- <> Move to previous/next menu (config. not reset)

ColorLogic. reset Confirmed

- <> Move to previous/next configuration menu

Use this function to erase all ColorLogic configuration settings and reset back to the factory default values. This function is NOT reversible--be careful.

Reset Config. to Default Press +

- + Initiate reset of all configuration parameters
- <> Move to previous/next configuration menu (config. not reset)

Are you sure? + to proceed

- + Reset all configuration parameters
- <> Move to previous/next menu (config. not reset)

Config. reset Confirmed

- <> Move to previous/next configuration menu

Use this function to erase all previous system configuration settings and reset all configuration parameters back to the factory default values. This function is NOT reversible--be careful.

Maintenance Menu (only displays if Sensing System is enabled)

The Maintenance Menu will be displayed only if the optional AQL-CHEM is used and the Sensing System is enabled in the Chemistry Config. Wizard. This menu is used to perform functions relating to the AQL-CHEM ORP and pH sensing kit.

pH Calibration Wizard, + to enter

- + Push to access pH Calibration Wizard
- <> Move to previous/next menu item

Use this Wizard to calibrate the AQL-CHEM's pH probe. This requires a manual pH test of the pool water using a dependable red phenol test kit.

Clean Probe Wizard + to enter

- + Push to access Clean Probe Wizard
- <> Move to previous/next menu item

Use this Wizard to clean the AQL-CHEM's ORP and pH probes. The probes must be clean and free from oil, chemical deposits and contamination to function properly. Slow response, increased need to calibrate, and inconsistent readings are indications that the probes need to be cleaned.

Pool Sizing Formula

	Gallons (pool size in feet)	Liters (pool size in meters)
Rectangular	Length x Width x Average Depth x 7.5	Length x Width x Average Depth x 1000
Round	Diameter x Diameter x Average Depth x 5.9	Diameter x Diameter x Average Depth x 785
Oval	Length x Width x Average Depth x 6.7	Length x Width x Average Depth x 893

Type of Salt to Use

It is important to use only sodium chloride (NaCl) salt that is greater than 99.0% pure. This can be found at most pool stores in 40-80 lb. bags labeled “for use in swimming pools”. Alternatively, use common food quality or water softener salt that is at least 99.0% pure. It is also acceptable to use water conditioning salt pellets, however, it will take longer for them to dissolve. Do not use rock salt, or salt with more than 1% of yellow prussiate of soda, salt with anti-caking additives, or iodized salt.

How to Add Salt

For new plaster pools, wait 10-14 days before adding salt to allow the plaster to cure. Turn the circulating pump on and add salt directly into the pool. Brush the salt around to speed up the dissolving process—do not allow salt to pile up on the bottom of the pool. Run the filter pump for 24 hours with the suction coming from the main drain (use pool vacuum if there is no main drain) to allow the salt to evenly disperse throughout the pool. The salt display may take 24 hours to respond to the change in salt concentration.

Always check stabilizer (cyanuric acid), when checking salt. These levels will most likely decline together. Use the chart below to determine how much stabilizer must be added to raise the level to 80 ppm.

POUNDS and (Kg) OF STABILIZER (CYANURIC ACID) NEEDED FOR 80 PPM

Current Stabilizer Level (ppm)	Gallons and (Liters) of Pool/Spa water																
	8,000 (30000)	10,000 (37500)	12,000 (45000)	14,000 (52500)	16,000 (60000)	18,000 (67500)	20,000 (75000)	22,000 (82500)	24,000 (90000)	26,000 (97500)	28,000 (105000)	30,000 (112500)	32,000 (120000)	34,000 (127500)	36,000 (135000)	38,000 (142500)	40,000 (150000)
0 ppm	5.3 (3.6)	6.7 (4.3)	8.0 (3.6)	9.4 (4.3)	10.7 (4.9)	12.0 (5.4)	13.4 (6.1)	14.7 (6.7)	16.0 (7.3)	17.3 (7.9)	18.7 (8.5)	20.0 (9.1)	21.3 (9.7)	22.7 (10.3)	24.0 (10.9)	25.3 (11.5)	26.7 (12.0)
10 ppm	4.7 (3.2)	5.8 (3.7)	7.0 (3.2)	8.2 (3.7)	9.4 (4.3)	10.5 (4.8)	11.7 (5.3)	12.9 (5.9)	14.0 (6.4)	15.2 (6.9)	16.4 (7.4)	17.2 (8.0)	18.7 (8.5)	19.8 (9.0)	21.0 (9.5)	22.2 (10.0)	23.3 (10.5)
20 ppm	4.0 (2.7)	5.0 (3.2)	6.0 (2.7)	7.0 (3.2)	8.0 (3.6)	9.0 (2.2)	10.0 (4.5)	11.0 (5.0)	12.0 (5.4)	13.0 (5.9)	14.0 (6.4)	15.0 (6.8)	16.0 (7.2)	17.0 (7.7)	18.0 (8.1)	19.0 (8.6)	20.0 (9.0)
30 ppm	3.3 (2.3)	4.2 (2.7)	5.0 (2.3)	5.9 (2.7)	6.7 (3.0)	7.5 (3.4)	8.4 (3.8)	9.2 (4.2)	10.0 (4.5)	10.8 (4.9)	11.7 (5.2)	12.5 (5.6)	13.3 (6.0)	14.2 (6.3)	15.0 (6.7)	15.8 (7.1)	16.7 (7.5)
40 ppm	2.7 (1.8)	3.3 (2.1)	4.0 (1.8)	4.7 (2.1)	5.4 (2.4)	6.0 (2.7)	6.7 (3.0)	7.4 (3.3)	8.0 (3.6)	8.7 (3.9)	9.3 (4.2)	10.0 (4.5)	10.7 (4.8)	11.3 (5.1)	12.0 (5.4)	12.7 (5.7)	13.3 (6.0)
50 ppm	2.0 (1.4)	2.5 (1.6)	3.0 (1.4)	3.5 (1.6)	4.0 (1.8)	4.5 (2.0)	5.0 (2.3)	5.5 (2.5)	6.0 (2.7)	6.5 (2.9)	7.0 (3.2)	7.5 (3.4)	8.0 (3.6)	8.5 (3.9)	9.0 (4.1)	9.5 (4.3)	10.0 (4.5)
60 ppm	1.3 (.91)	1.7 (1.1)	2.0 (.91)	2.3 (1.1)	2.7 (1.2)	3.0 (1.4)	3.3 (1.5)	3.7 (1.7)	4.0 (1.8)	4.3 (2.0)	4.7 (2.1)	5.0 (2.3)	5.3 (2.4)	5.7 (2.6)	6.0 (2.7)	6.3 (2.8)	6.7 (3.0)
70 ppm	0.7 (.45)	0.8 (.54)	1.0 (.45)	1.2 (.54)	1.4 (.64)	1.5 (.68)	1.7 (.77)	1.8 (.82)	2.0 (.91)	2.2 (1.0)	2.3 (1.1)	2.5 (1.2)	2.7 (1.2)	2.8 (1.3)	3.0 (1.3)	3.2 (1.4)	3.3 (1.5)
80 ppm	0.0	0.0	0.0	0.0	0.0	0.0	0.0	0.0	0.0	0.0	0.0	0.0	0.0	0.0	0.0	0.0	0.0

2. Mounting the Equipment

Pro Logic Control Center

The Pro Logic is contained in a raintight enclosure that is suitable for outdoor mounting. The control must be mounted a minimum of 5 ft. (2 meters) horizontal distance from the pool/spa (or more, if local codes require). The Control Center is designed to mount vertically on a flat surface with the knockouts facing downward. Because the enclosure also acts as a heat sink (disperses heat from inside the box), it is important not to block the four sides of the control. Do not mount the Pro Logic inside a panel or tightly enclosed area.

When selecting a location, note that the standard cables supplied with the Turbo Cell, flow switch, temperature sensors, and valve actuators (if applicable) are all 15 ft. (5m) long.

Group – the valve operates when the Group function is initiated and shuts off when the Group function is terminated. See valve3 Group section for operation information for the Group function.

Super Chlorinate – The Super Chlorinate function can be assigned to any Aux, Lights or Valve button. This allows the user to simply hit a button to start a Super Chlorinate cycle, rather than using the Settings Menu. Note that only one button can be assigned to this function.

Valve3 Interlock

If “Enabled”, this feature will override the function (timeclock, manual on/off, countdown timer or in-floor cleaner) selected above and turn the valve off whenever the filter pump is off or the pool/spa suction/return valves are set to “spa only” or “spillover” operation. Interlock is not available with solar, group or super chlorinate.

Valve3 Group

The valve3 Group function allows the user to perform multiple tasks with a single push of the VALVE3 button. When setting up a Group function, refer to page 22 for specific programming information. There are two Group menus; the first menu determines how the group command will be initiated (Manual On/Off, Countdown Timer, or Timeclock) and the second menu selects the desired functions and their respective control parameters.

When activating Group functions, be aware that the most recent Group function that is initiated will override any previous Group function.

Valve3 External Input Interlock

When Valve3 External Input Interlock is enabled, the Valve3 output will be forced off when the external input is active. This will have precedence over freeze protection. Valve3 External Input Interlock is not available for solar, group, and super chlorinate.

Valve3 Freeze Protection

This function protects the pool and plumbed equipment against freeze damage. If Freeze Protection is enabled and the AIR temperature falls sensor falls below the selected freeze protection temperature, the Pro Logic will turn on the valve to allow circulation of the water. IMPORTANT: this only enables operation of the valve3 output during freeze--see the “Filter Pump Config.” menu to enable freeze protection for the main circulation system. Freeze protection is not available for group or super chlorinate functions.

Valve3 Pump Speed

This is the speed of the pump when the Valve3 output is on. The default selection is “Settings Menu”. This is the speed of the pump that has been selected in the Settings Menu for normal filter operation. If an alternate speed is desired when the Valve3 output is on, push “+” or “-” and select from “Filter Lowest” to “Filter Highest” in 5% increments.

if AQL-SS-6B is connected

6B Spa Config.
+ to view/change

+ Push to access the 6 Button Spa Side Remote options
<> Move to previous/next configuration menu

Select 6B Spa
A

+/- Rotates between all available remotes
<> Move to next menu item

6B A, Button 1
Pool/Spa

+/- Rotates between System Off, Pool/Spa, Filter, Lights, Heater1, Valve3, Valve4, and all available Aux outputs
<> Move to previous/next menu item or next configuration menu

Select 6B Spa

This menu only appears if more than one AQL-SS-6B is detected at power up. Select which of the available remote controls (A, B or C) is to be configured.

6B A, Button 1

This menu allows the user to map each button of the AQL-SS-6B to one of the standard Pro Logic functions. The default selections are: Button 1 - Pool/Spa, Button 2 - Filter, Button 3 - Lights, Button 4 - Heater1, Button 5 - Aux1 and Button 6 - Aux2.

NOTE: The configuration for Valve3 and Valve4 are identical. However, if Heater2 was enabled, then the Valve4 configuration will not appear (a single relay is used to implement either the Heater2 function or the Valve4 function--it can not do both). For PS-16, see aux logic on page 27 for control of Valves7, 8, 9 and 10.

- Valve3 Config. + to view/change + Push to access Valve3 options <> Move to previous/next configuration menu
- Valve3 Name Waterfall + Rotates between all available names <> Move to next menu item
- Valve3 Function Solar + Rotates between Manual On/Off (default), Countdown Timer, Timeclock, Solar, In-floor Cleaner, Group, and Super Chlorinate <> Move to next menu item
- for all functions except solar, group or super chlorinate*
- Valve3 Interlock Disabled + Rotates between Enabled and Disabled (default) Valve3 Interlock <> Move to next menu item
- for group function only*
- Valve3 Group Timer: None(Manual) + Rotates between Manual On/Off (default), Countdown Timer and Timeclock <> Move to next menu item
- for group function only*
- Valve3 Group Filter: Unaffected + Options available depend on the function that is selected <> Move to previous/next menu item or next configuration menu
- for all functions except solar, group or super chlorinate*
- Valve3 Ext Input Disabled + Toggle between Enabled and Disabled (default) <> Move to previous/next configuration menu
- for all functions except group and super chlorinate*
- Valve3 Freeze Disabled + Toggle between Enabled and Disabled (default) Valve3 Freeze <> Move to previous/next configuration menu
- if filter pump is set to variable speed and the relay type is set to standard*
- Valve3 Pump Spd Settings Menu + Select Settings Menu (default) or desired pump speed (Filter Lowest to Highest) <> Move to previous/next configuration menu

Valve3 Name

The Pro Logic allows you to assign any one of a number of names (e.g. “Cleaner Valve, Waterfall valve, Solar Valve, etc.) to each of the valve output control function. This will make the Pro Logic much more user friendly to the homeowner when they want to turn various valves on or off or program the timeclocks. A sheet of small name labels is included with the Pro Logic main unit and each remote display/keypad so that the “Valve3” (and “Valve4”) pushbutton can be labeled the same as the name that you have assigned.

Valve3 Function

Manual On/Off (default) – the valve3 relay will alternate between turning on and off when the VALVE3 button is pressed. There is no automatic control logic. The VALVE3 button can also be used to turn the valve output on or off.

Countdown Timer – the valve3 relay will turn on when the VALVE3 button is pressed and then will turn off automatically after a programmed time (see Timers Menu in the Operations Manual). The VALVE3 button can also be used to turn the output off.

Timeclock – the valve turns on/off at the times set for the valve3 timeclock in the Timers Menu (see Operations Manual). The valve3 button can also be used to turn the valve output on or off.

Solar – the valve operates when the filter pump is running and solar heat is available and the water is less than the desired temperature setting. Solar heating must be enabled in the “Solar Config. menu for proper operation to occur.

In-Floor Cleaner – the valve switches the water returning to the pool between the in-floor cleaner and the normal return jets which facilitate efficient surface skimming. The valve will operate the in-floor cleaner for the first half of each clock hour and then switch to the jets/skimming for the last half of the hour.

PS-16 Expansion Unit

For the PS-16, the relays for Aux1-6 are contained in the Pro Logic Control Center. The relays for Aux7-14 are contained in the PS-16 Expansion Unit. Valve outputs 7-10, in the PS-16 Expansion Unit follow the outputs of Aux7-10, respectively.

Temperature Sensors

Three sensors are included with the Pro Logic. A water sensor and an air sensor must be installed at all times for proper operation. An additional supplied sensor can be used for either solar or dual equipment function. If both solar *and* dual equipment functions are desired, an additional sensor will need to be purchased.

Water Sensor

This sensor is used to measure the pool/spa temperature and is installed in the filtration plumbing after the filter but before either the solar or conventionally fueled heaters—refer to the plumbing overview diagram.

1. Drill a 3/8” (10mm) diameter hole in the PVC piping and remove all chips and burrs.
2. Insert sensor until O-ring collar sits flush on the hole.
3. Position hose clamp over the sensor and gently tighten until O-ring makes an adequate seal. Do not over-tighten.
4. For maximum temperature accuracy, cover the sensor and 3” (6cm) of pipe on either side with insulation and white paint.

Air Sensor

Mount the air sensor outdoors.  **IMPORTANT: Mount the air sensor out of direct sunlight.**

Solar Sensor

For solar applications, mount the sensor near the solar collector array so that it is exposed to the same sunlight as the collectors (see page 9). Use additional cable (20 AWG) if necessary.

Dual Equipment Spa Sensor

For dual equipment applications (separate filter pumps and heaters for both the pool and the spa), mount the dual equipment spa sensor after the spa filter but before the heater (see page 9). Use additional cable (20 AWG) if necessary.

Optional Chlorination Function

The PL-PS-4/8/16 models require the use of a chlorinator cell and plumbing kit to provide pool chlorination. These items are not included with the Pro Logic and can be purchased separately at your local Hayward dealer. Choose a chlorinator cell model based on the size of your pool. The following models are available:

- T-CELL-15 for pools up to 40,000 gallons
- T-CELL-9 for pools up to 25,000 gallons
- T-CELL-3 for pools up to 15,000 gallons

In addition to the chlorinator cell, a plumbing kit (P-KIT) must be purchased. This kit contains the cell unions and flow switch. Refer to pages 11 and 21 for plumbing and wiring instructions.

Optional AQL-CHEM ORP and pH Sensing Kit

The AQL-CHEM is an ORP and pH sensing kit for the Pro Logic. When used with the chlorination function, the Pro Logic senses the pool's ORP and pH levels and generates the correct amount of chlorine to keep your pool properly sanitized. Wiring and plumbing requirements for the AQL-CHEM should be considered before installing the Pro Logic. Refer to the AQL-CHEM manual for specific installation information.

Optional AQL-COLOR-MODHV ColorLogic Network Module

Using the optional AQL-COLOR-MODHV network module, the Pro Logic can fully control the color, speed, motion and brightness of Hayward ColorLogic Generation 4 pool and spa lights as well as provide programmable light shows. Refer to the AQL-COLOR-MODHV for detailed installation, wiring and operation information.

Optional Remote Controls

Hayward offers a variety of wired and wireless remote control options for the Pro Logic. Each model gives you the ability to control your pool's functions from a remote location, away from the Control Center.

Wired Remote Controls

Up to 3 wired remote controls can be installed. See "Electrical Wiring" (page 19) for instructions on running the cable from the Pro Logic main unit to the remote control. Also refer to the remote's installation instructions for more information.

AQL2-Wx-PS-x (x=4,8, or 16)

The AQL2-Wx-PS-x is a wall mounted display/keypad which must be mounted indoors or in a weather protected area (rain should never hit the unit). Note that the number of outputs on the remote ("4", "8" or "16") must match the outputs on the Pro Logic main control unit. This remote control is intended to mount on to a standard electrical utility box (same box as a triple light switch, ideal for new construction) or can be mounted directly onto any wall surface. When selecting a location, note that the wire to the Pro Logic main unit must be less than 500' long.

AQL-SS-6B-x, AQL-SS-D-x (x=W or B for White or Black)

The AQL-SS-6B and AQL-SS-D are double insulated, waterproof devices which are intended for installation at the water's edge. The remote controls come with an attached 150' cable and are typically installed at the tile-line of the spa wall, or in the deck, within arm's reach of a pool/spa occupant.

Wireless Remote Controls

A single Base Station must be installed on the Pro Logic in order to use any of the Hayward wireless remote controls. There is no limit on the number of wireless remotes that can be used. The maximum distance between wireless remotes and the base station on the Pro Logic main control unit is 400 feet (120m) line of sight or 200 feet (60m) through walls, etc. If in doubt about the distance, test operation before installing the remote. All wireless models require the user to run the "Teach Wireless" routine in the Settings Menu. This information can be found in the Pro Logic Operation Manual and the owner's manual of each remote.

AQL2-Wx-RF-PS-x (x=4,8, or 16)

The AQL2-Wx-RF-PS-x are wall mounted wireless controls designed to be mounted indoors. These remote controls come with a wall mounted power supply.

AQL2-Tx-RF-PS-x (x=4,8, or 16)

The AQL2-Tx-RF-PS-x are portable battery operated remote controls designed to be used in a weather protected area (rain should never hit the unit). The AQL2-Tx-RF-PS-x comes with a wall mounted power supply for recharging the built-in batteries.

AQL2-SS-RF, AQL2-POD

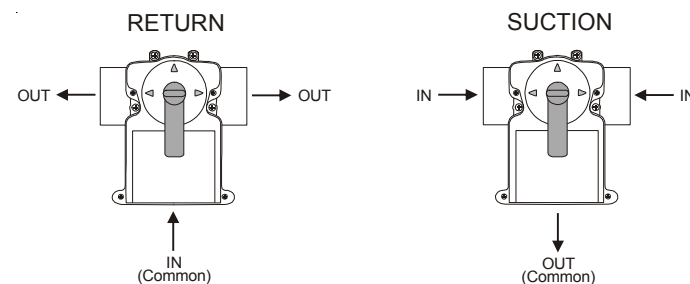
The AQL2-SS-RF and AQL2-POD are waterproof portable remote controls that are designed to be used in and around the pool/spa area. These units float and can be left in the pool/spa water for easy access.

Optional Base Station

Use the AQL2-BASE-RF for all AQL2 wireless remote controls. To install the base station, remove the knockout on the upper left side of the Pro Logic main control unit, insert the base station, and then tighten the nut from the inside. Also refer to the Base Station manual and the diagram on page 20.

Optional Valve Actuators

For optional actuators supplied with the Pro Logic—note that the internal cams in the actuator may also have to be adjusted depending on the way the actuator is mounted on the valve and the desired valve action.



position other than "pool only", or for the first 3 minutes after solar turns on (allows air in the solar panels to be purged). Interlock is not available for solar, low speed filter pump, dimmer, group, super chlorinate or pH dispense functions.

Aux1 Group

The Aux1 Group function allows the user to perform multiple tasks with a single push of the "Aux1" button. When setting up a Group function, refer to page 22 for specific programming information. There are two Group menus; the first menu determines how the group command will be initiated (Manual On/Off, Countdown Timer, or Timeclock) and the second menu selects the desired functions and their respective control parameters.

When activating Group functions, be aware that the most recent Group function that is initiated will override any previous Group function.

Aux1 External Input Interlock

When Aux1 External Input Interlock is enabled, the Aux1 output will be forced off when the external input is active. This will have precedence over freeze protection. Aux1 External Input Interlock is not available for solar, low speed filter pump, dimmer, group, super chlorinate, or pH dispense functions.

Aux1 Freeze Protection

This function protects the pool, plumbing, and equipment against freeze damage. If Freeze Protection is enabled and the AIR temperature sensor falls below the selected freeze protection temperature, the Pro Logic will turn on the aux relay to circulate the water. IMPORTANT: this only enables operation of the AUX output during freeze--see the "Filter Pump Config." menu to enable freeze protection for the main circulation system. Freeze Protection is not available for low speed filter pump, dimmer, group, super chlorinate or pH dispense functions.

Aux1 Pump Speed

This is the speed of the filter pump when the Aux1 output is on. The default selection is "Settings Menu". This is the speed of the pump that has been selected in the Settings Menu for normal filter operation. If an alternate speed is desired when the Aux1 output is on, push "+" or "-" and select from "Lowest" to "Highest" in 5% increments.

PL-PS-8-V models only: Aux3 - Aux7 only PL-PS-16-V models only: Aux7 - Aux14 only

Aux7 Config. + to view/change	+ Push to access Virtual Aux options <> Move to previous/next configuration menu
Aux7 Name Cleaner	+ Rotates between all available names <> Move to next menu item
Aux7 Relay Standard	+ Rotates between Standard (default) and ColorLogic (must be detected) <> Move to next menu item or previous/next configuration menu
Aux7 Function Group	+ Rotates between Super Chlorinate, Group and Manual On/Off <> Move to next menu item
Aux7 Group Timer: None(Manual)	+ Rotates between Manual On/Off (default), Countdown Timer and Timeclock <> Move to next configuration menu item
Aux7 Group Filter: Unaffected	+ Options available depend on the function that is selected <> Move to previous/next menu item or next configuration menu

For more information on the Group function, refer to page 22. If neither Super Chlorinate, ColorLogic or a Group can be assigned to a Virtual Aux button, the following will be displayed:

No Virtual
Functions Available

3. Plumbing

Aux1 Function

Manual On/Off (default)—the aux relay will alternate between turning on and off when the aux button is pressed. There is no automatic control logic.

Countdown Timer—the aux relay will turn on when the AUX button is pressed and then will turn off automatically after a programmed time (see Timers Menu in the Operations Manual). The AUX button can also be used to turn the output off.

Low Speed of a 2-speed Filter Pump—the Pro Logic will operate the aux relay whenever the low speed operation of the filter pump is required. It is very important that the “2-speed” filter pump option be selected under the “Filter Config.” Menu for proper operation.

Timeclock—the aux relay will turn-on and turn-off at the times set for the aux timeclock in the Timers Menu (see Operations Manual). The AUX button can also be used to turn the output on and off.

Solar—the aux relay operates a solar booster pump which will turn on when the filter pump is running and solar heat is available and the water is less than the desired temperature setting. It is important to note that “Solar” must be enabled in the “Solar Config.” menu for proper operation to occur.

Low Speed of a 2-Speed Spa Filter Pump—the Pro Logic will turn on the aux relay whenever the low speed operation of the Dual Equipment Spa filter pump is required. “Pool and Spa-Dual” (located in Pool/Spa Setup menu) and “2-Speed” (located in Spa Filter Config. menu) must be selected for proper operation.

Group—the aux relay operates when the Group function is initiated and shuts off when the Group function is terminated. See Aux1 Group section for operation information for the Group function.

Super Chlorinate—The Super Chlorinate function can be assigned to any Aux, Lights or Valve button. This allows the user to simply hit a button to start a Super Chlorinate cycle, rather than using the Settings Menu. Note that only one button can be assigned to this function.

pH Dispense—When Chemistry Sensing is enabled and pH Reduction Control is NOT disabled, the Pro Logic will turn on the Aux relay when there is a need to energize the pH dispensing device. The pH Dispense function can be assigned to any Aux or the Lights output. Once programmed for pH Dispense, the Aux button will have no function. Requires the use of the AQL-CHEM sensing kit.

Aux1 Relay

This feature allows the user to select either “Standard” (default), “Dimmer”, “ColorLogic” or “VSP” type relay for the Aux1 output. The optional AQL-DIM dimmer kit must be installed if “Dimmer” is desired. The AQL-COLOR-MODHV ColorLogic Network Module must be installed if “ColorLogic” is desired.

When “Dimmer” is selected, and the Aux1 output is manually turned on, the “+” and “-” buttons adjust the level from 20% to 100% (default). The level is saved for the next time the aux1 output is turned from off to on.

If “ColorLogic” is selected (Network Module must be detected at startup for this option to appear), additional menus will prompt you for configuration information. Refer to the AQL-COLOR-MODHV manual for details on how to configure an Aux output for use with Generation 3 or later ColorLogic lights.

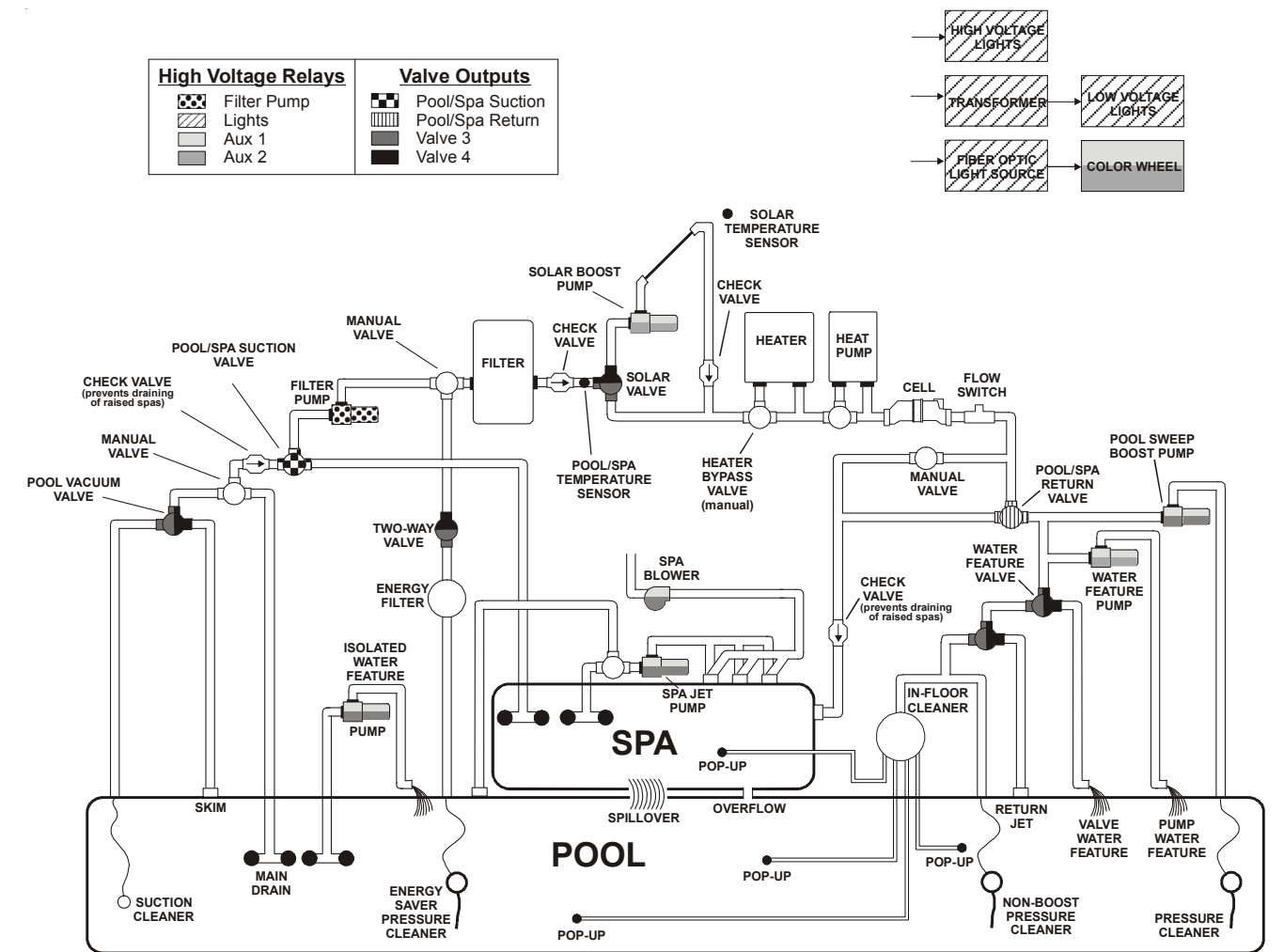
If “VSP” is selected, the Aux relay is used to supply power to a Hayward Variable Speed Pump (VSP). The relay will be on when the Aux output is on and off when the output is off. On, off and speed are controlled by commands sent to the VSP. Note: Up to 6 Lights/Aux outputs can be configured as VSP relays.

Aux1 Interlock

If “Enabled”, this feature will override the function (Manual On/Off, Countdown Timer, Timeclock), selected above and turn the aux1 off when: filter pump is off, first 3 minutes of filter pump operation (allows the pump to prime and get water flowing), when the pool/spa suction return valves are in any

“Standard” Pool/Spa system configuration

These systems use a single filter pump and filter. Pool or spa operation is controlled by two 3-way valves (suction and return). Refer to the diagram below.



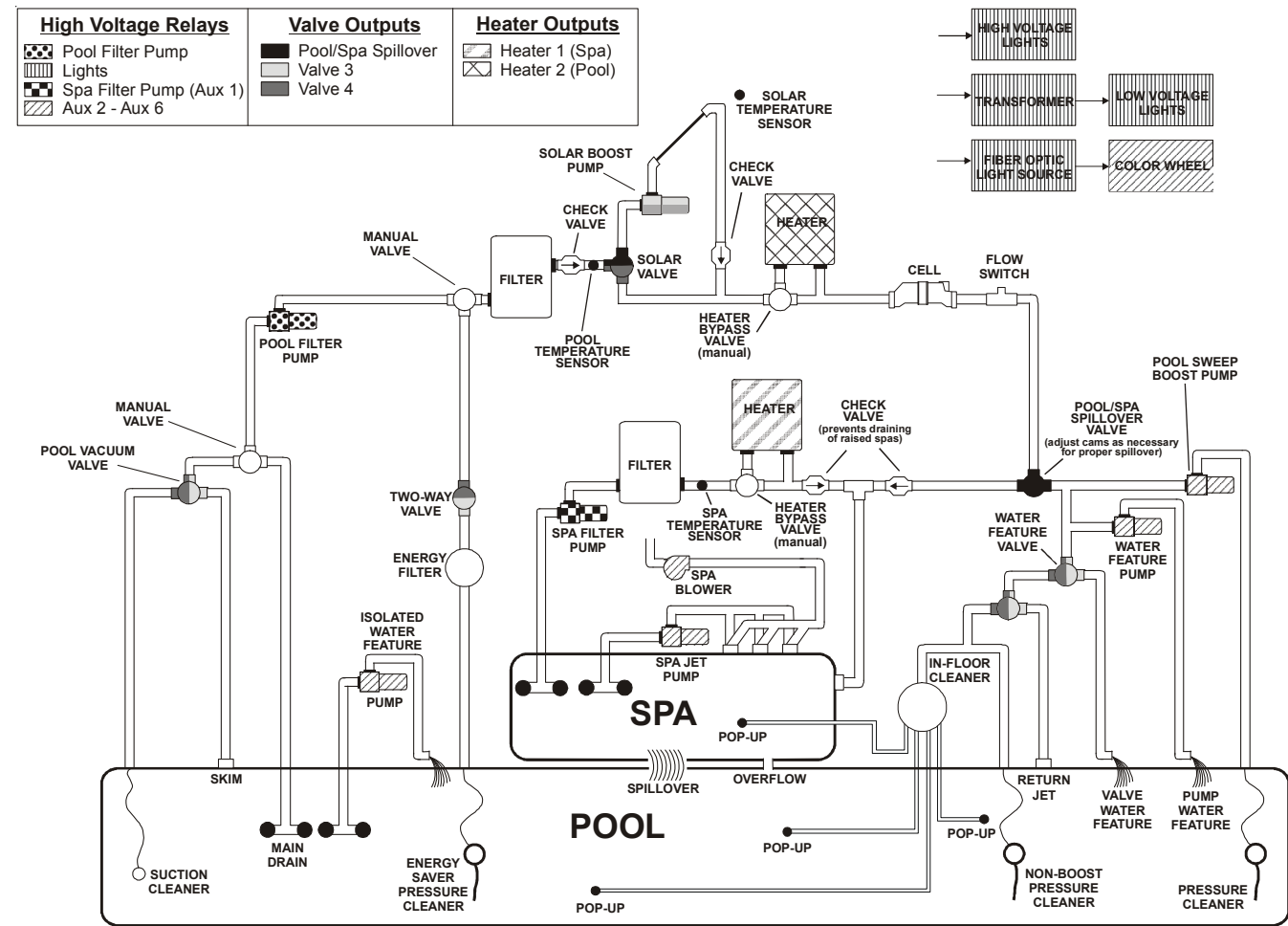
Some important notes regarding the Pro Logic control of Standard Pool/Spa systems:

In Pool/Spa Config., select: Pool/Spa Setup
Pool and Spa-Std

1. The Pro Logic can be programmed to accommodate spa spillover, if desired.
2. Up to two conventional heaters (gas or heat pump) plus solar can be used to heat both the pool and the spa.
3. If the chlorinator cell is plumbed prior to the pool/spa return valve, then both the pool and the spa can be chlorinated.
4. The water sensor should be installed prior to any heater or solar and will display either the pool or the spa temperature, depending on the current operation of the pool. The temperature will only be displayed when the filter pump is running.
5. If any water feature or pressure side cleaner boost pumps are used, be sure to enable the “interlock” feature (see “Configuration Menu” for details) to ensure that the pumps operate only when the filter pump is on and the system is in the “pool only” operating mode.
6. The plumbing diagram above is intended to be used as a general guideline and is not a complete plumbing schematic for the pool.
7. The air sensor must be installed if the freeze protection feature is enabled for the filter, valves or aux outputs.

“Dual Equipment - Separate Heaters” for Pool/Spa configuration

These systems have 2 complete sets of equipment (filter pump, filter, heater)—1 set for the pool and the other set for the spa. Refer to the diagram below:



Some important notes regarding the Pro Logic control of Dual Equipment Pool/Spa systems with separate heaters:

In the Pool/Spa Config., select: Pool/Spa Setup
Pool and Spa-Dual Heaters
Htr1 = Spa, Htr2 = Pool

1. When dual equipment is selected:
 - a. The “Filter” pump automatically is renamed “Pool Filter” and can not be changed. The pool filter can be a one, two or variable pump.
 - b. The “Aux1” output is automatically renamed “Spa Filter”, its function is set to “Timeclock” and the Interlock feature is forced to “Disabled”. None of these can be changed. The spa filter can be a one, two or variable pump.
 - c. The Heater1 output should be connected to the spa heater—the heater will only turn on when the spa filter pump is running.
 - d. The Heater2 output should be connected to the pool heater—the heater will only operate when the pool filter is running. If the system does not have a pool heater, disable Heater2 in the configuration menu and then the relay can be used to operate general purpose Valve4.
2. The water sensor should be installed on the pool loop prior to the heater and will display the pool temperature whenever the “Pool Filter” pump is running.
3. The dual equipment spa sensor should be installed on the spa loop prior to the heater and will display the spa temperature whenever the “Spa Filter” pump is running.
4. The Pro Logic can be programmed to accommodate spillover if desired. Note that spillover operation will be automatically suspended whenever the spa filter pump is turned on.

lights relay during freeze--see the “Filter Pump Config.” menu to enable freeze protection for the main circulation system. Freeze Protection is not available for low speed filter pump, dimmer, group, super chlorinate or pH dispense functions.

Lights Pump Speed

This is the speed of the filter pump when the Lights output is on. The default selection is “Settings Menu”. This is the speed of the pump that has been selected in the Settings Menu for normal filter operation. If an alternate speed is desired when the Lights output is on, push “+” or “-” and select from “Filter Lowest” to “Filter Highest” in 5% increments.

NOTE: The configuration parameters for all Aux outputs are the same as shown below for Aux1. PS-4: Aux1 and Aux2. PS-8: Aux1 through Aux6. PS-16: Aux1 through Aux14. Also note that for the PS-16, Valves 7, 8, 9 and 10 are turned On/Off with the control function selected for Aux7, 8, 9, and 10, respectively.

Aux1 Config. + to view/change	+ Push to access Aux options <> Move to previous/next configuration menu
Aux1 Name Cleaner	+- Rotates between all available names <> Move to next menu item
Aux1 Function Manual On/Off	+- Rotates between Manual On/Off (default), Countdown Timer, Low Speed- Filter, Timeclock, Solar, Low Speed-Spa Filter, Group, Super Chlorinate, and pH Dispense <> Move to next menu item
<i>for manual on/off, countdown timer and timeclock functions</i>	
Aux1 Relay Standard	+- Toggle between Standard (default), Dimmer, ColorLogic and VSP <> Move to next menu item or previous/next configuration menu
<i>for all functions except solar, dimmer relay, super chlorinate low speed, group and pH dispense</i>	
Aux1 Interlock Disable	+- Toggle between Enabled and Disabled (default) Aux1 Interlock <> Move to next menu item
<i>for group function only</i>	
Aux1 Group Timer: None(Manual)	+- Rotates between Manual On/Off (default), Countdown Timer and Timeclock <> Move to next configuration menu item
<i>for group function only</i>	
Aux1 Group Filter: Unaffected	+- Options available depend on the function that is selected <> Move to previous/next menu item or next configuration menu
<i>for all functions except solar, dimmer relay, super chlorinate low speed, group and pH dispense</i>	
Aux1 Ext Input Disabled	+- Toggle between Enabled and Disabled (default) <> Move to previous/next configuration menu
<i>for all functions except dimmer relay, super chlorinate low speed, group and pH dispense</i>	
Aux1 Freeze Disable	+- Toggle between Enabled (default) and Disabled Aux1 Freeze <> Move to previous/next configuration menu
<i>if filter pump is set to variable speed and the relay type is set to standard</i>	
Aux1 Pump Spd Settings Menu	+- Select Settings Menu (default) or desired pump speed (Filter Lowest to Highest) <> Move to previous/next configuration menu

⚠ WARNING: Do not use the Pro Logic to control an automatic pool cover. Swimmers may become entrapped underneath the cover.

NOTE: If “Pool and Spa-Dual” is selected, Aux1 is dedicated to use as the spa filter. Its Name is set to Spa Filter, the Function is set to Timeclock and Interlock is set to Disabled. These can't be changed.

Aux1 Name

The Pro Logic allows you to assign any one of a number of names (e.g. “Cleaner Pump, Waterfall, Gazebo Light, etc.) to each of the aux outputs control function. This will make the Pro Logic much more user friendly to the homeowner when they want to turn various aux equipment on or off or program the timeclocks. A sheet of small name labels is included with the Pro Logic main unit and each remote display/keypad so that the “Aux” pushbutton can be labeled the same as the name that you have assigned. At this time it is also a good idea to make sure that the relay in the control box is also labeled (hand written) with the same name as a help to technicians who may service this system at a later date.

Timeclock – the lights relay will turn-on and turn-off at the times set for the lights timeclock in the Settings Menu (see Settings Menu in Operation Manual). The LIGHTS button can also be used to turn the output on and off.

Solar – the lights relay can operate a solar booster pump which will turn on when the filter pump is running and solar heat is available and the water is less than the desired temperature setting. Note that “Solar” must be enabled in the “Solar Config.” menu for proper operation to occur.

Low Speed of a 2-Speed Spa Filter Pump – the Pro Logic will turn on the lights relay whenever the low speed operation of the Dual Equipment Spa filter pump is required. “Pool and Spa-Dual” (located in Pool/Spa Setup menu) and “2-Speed” (located in Spa Filter Config. menu) must be selected for proper operation.

Group – the lights relay operates when the Group function is initiated and shuts off when the Group function is terminated. See Lights Group section for operation information for the Group function.

Super Chlorinate – The Super Chlorinate function can be assigned to any Aux, Lights or Valve button. This allows the user to simply hit a button to start a Super Chlorinate cycle, rather than using the Settings Menu. Note that only one button can be assigned to this function.

pH Dispense – When Chemistry Sensing is enabled and pH Reduction Control is NOT disabled, the Pro Logic will turn on the Lights relay when there is a need to energize the pH dispensing device. The pH Dispense function can be assigned to any Aux or the Lights output. Once programmed for pH Dispense, the Lights button will have no function. Requires the use of the AQL-CHEM sensing kit.

Lights Relay

This feature allows the user to select either “Standard” (default), “Dimmer” or “VSP” type relay for the Lights output. The optional AQL-DIM dimmer kit must be installed if “Dimmer” is desired. When “Dimmer” is selected, and the Lights output is manually turned on, the “+” and “-” buttons adjust the level from 20% to 100% (default). The level is saved for the next time the lights are turned from off to on.

If “VSP” is selected, the Lights relay is used to supply power to a Hayward Variable Speed Pump (VSP). The relay will be on when the Lights output is on and off when the output is off. On, off and speed are controlled by commands sent to the VSP. Note: Up to 6 Lights/Aux outputs can be configured as VSP relays.

Lights Interlock

If enabled, this feature will override the function (Manual On/Off, Countdown Timer, Timeclock) selected above and turn the lights relay off when: filter pump is off, first 3 minutes of filter pump operation (allows the pump to prime and get water flowing), when the pool/spa suction return valves are in any position other than “pool only”, or for the first 3 minutes after solar turns on (allows air in the solar panels to be purged). Interlock is not available for solar, low speed filter pump, dimmer, group, super chlorinate, or pH dispense functions.

Lights Group

The Lights Group function allows the user to perform multiple tasks with a single push of the “Lights” button. When setting up a Group function, refer to page 22 for specific programming information. There are two Group menus; the first menu determines how the group command will be initiated (Manual On/Off, Countdown Timer, or Timeclock) and the second menu selects the desired functions and their respective control parameters.

When activating Group functions, be aware that the most recent Group function that is initiated will override any previous Group function.

Lights External Input Interlock

When Lights External Input Interlock is enabled, the lights output will be forced off when the external input is active. This will have precedence over freeze protection. Lights External Input Interlock is not available for solar, low speed filter pump, dimmer, group, super chlorinate, or pH dispense functions.

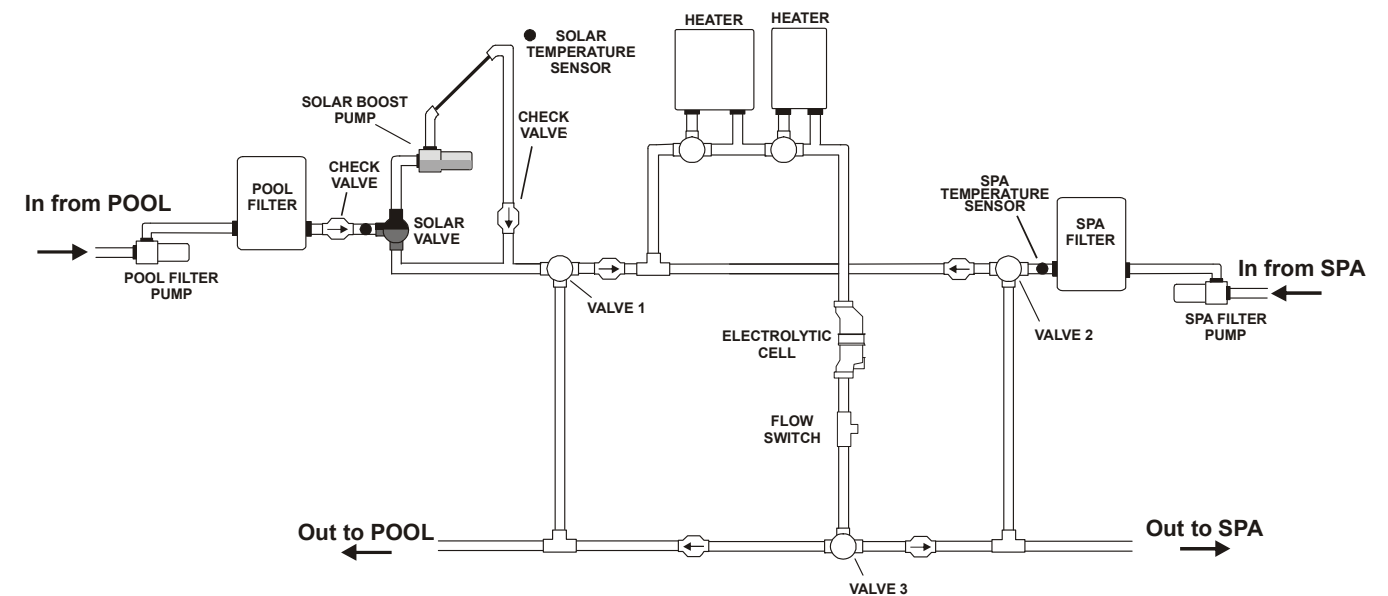
Lights Freeze Protection

This function helps protect equipment that is wired to the lights relay against freeze damage. If Freeze Protection is enabled and the AIR temperature sensor falls below the selected freeze temperature threshold, the Pro Logic will energize the lights relay. **IMPORTANT:** this only enables operation of the

- The chlorinator cell must be installed in the pool plumbing. If spillover is enabled, then the Pro Logic can chlorinate both the pool and spa (during spillover operation). Otherwise, the Pro Logic will only chlorinate the pool and the spa sanitization will have to be handled manually.
- If any water feature or pressure side cleaner boost pumps are used, be sure to enable the “interlock” feature (see “Configuration Menu” for details) to ensure that the pumps operate only when the “Pool Filter” pump is on and the system is in the “pool only” operating mode.
- The plumbing diagram on page 9 is intended to be used as a general guideline and is not a complete plumbing schematic for the pool.
- When using the wireless spa-side remote control (AQL2-SS-RF), the “POOL” button will position the valves for Pool mode and the “SPA” button will position the valves for Spillover mode.

“Dual Equipment - Shared Heaters” for Pool/Spa configuration

These systems have 2 complete sets of equipment (filter pump, filter) and shared heaters. Refer to the diagram below:



Some important notes regarding the Pro Logic control of Dual Equipment Pool/Spa systems with shared heaters:

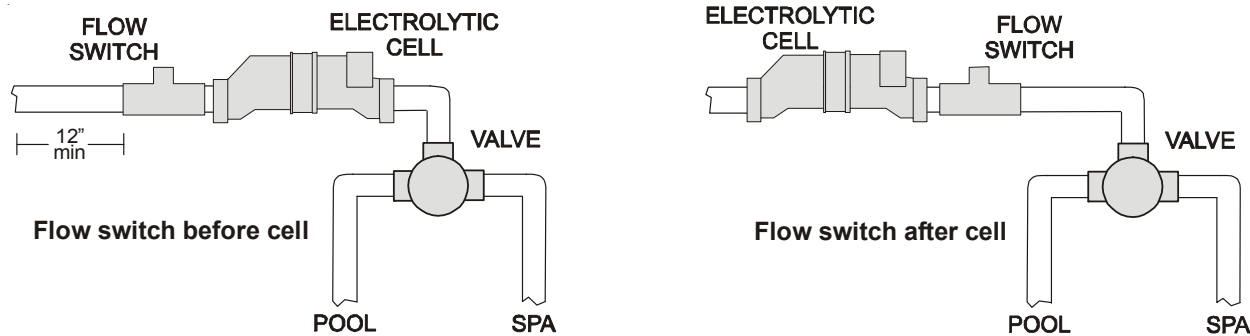
In the Pool/Spa Config., select: Pool/Spa Setup
Pool and Spa-Dual Heaters
Shared

- When dual equipment is selected:
 - The “filter” pump automatically is renamed “Pool Filter” and can not be changed. The pool filter can be a one, two or variable pump.
 - The “Aux1” output is automatically renamed “Spa Filter”, its function is set to “Timeclock” and the Interlock feature is forced to “Disabled”. None of these can be changed. The spa filter can be a one, two or variable pump.
 - The Valve3 configuration menu is disabled.
 - The heater(s) will be dedicated to the spa whenever the spa filter is on and the spa temperature setting is not off.
- The water sensor should be installed on the pool loop prior to the heater(s) and will display the pool temperature whenever the “Pool Filter” pump is running.
- The dual equipment spa sensor should be installed on the spa loop prior to the heater(s) and will display the spa temperature whenever the “Spa Filter” pump is running.

- The Pro Logic can be programmed to accommodate spillover if desired. Note that spillover operation will be automatically suspended whenever the spa filter pump is turned on.
- The chlorinator cell and flow switch must be installed in the heater return path. If spillover is enabled, then the Pro Logic can chlorinate both the pool and spa (during spillover operation). Otherwise, the Pro Logic will only chlorinate the pool when the spa does not control the heater(s) and the spa sanitization will have to be handled manually.
- If any water feature or pressure side cleaner boost pumps are used, be sure to enable the “interlock” feature (see “Configuration Menu” for details) to ensure that the pumps operate only when the “Pool Filter” pump is on and the system is in the “pool only” operating mode.
- The plumbing diagram on page 10 is intended to be used as a general guideline and is not a complete plumbing schematic for the pool.
- When using the wireless spa-side remote control (AQL2-SS-RF), the “POOL” button will position the valves for Pool mode and the “SPA” button will position the valves for Spillover mode.

Turbo Cell (choose proper model for your pool)

The Turbo Cell (used for chlorine generation) should be plumbed AFTER the filter and heater. If installed on a pool/spa combination system, the cell should be plumbed BEFORE the pool/spa return valve in order to allow proper chlorination of both the pool and the spa. Refer to plumbing diagram below:



The cell may be mounted vertically or horizontally, and water can move in either direction through the cell. Install using the 2" unions provided in the P-KIT purchased separately. Tighten unions **BY HAND** for a watertight seal. For systems with 1½" plumbing use adaptors (provided by installer).

Flow Switch (supplied with P-KIT)

The flow switch must be plumbed in the same section of plumbing as the Turbo Cell. The flow switch is a safety device that ensures that water is flowing through the cell before the Pro Logic starts to generate chlorine. Failure to properly install the flow switch can result in explosive gases accumulating in the pool plumbing system.

⚠ IMPORTANT: There must be at least a 12" (30cm) straight pipe run before (upstream) the flow switch. If the switch is plumbed after the cell, the cell can be counted as the 12" (30cm) of straight pipe.

⚠ IMPORTANT: To ensure proper operation, verify that the arrow on the flow switch points in the direction of water flow

NOTE: If an AQL-COLOR-MODHV ColorLogic Network Module is detected at startup, only the Lights Name menu will appear under Lights Configuration. Refer to the AQL-COLOR-MODHV manual for more information.

Lights Config. + to view/change	+<>	Push to access Lights options Move to previous/next configuration menu
Lights Name Pool Light	+-<>	Rotates between all available names Move to next menu item or previous/next configuration menu
Lights Function Manual On/Off	+-<>	Rotates between Manual On/Off (default), Countdown Timer, Low Speed- Filter, Timeclock, Solar, Low Speed-Spa Filter, Group, Super Chlorinate, and pH Dispense Move to next menu item
<i>for manual on/off, countdown timer and timeclock functions</i>		
Lights Relay Standard	+-<>	Toggle between Standard (default), Dimmer and VSP Move to next menu item or previous/next configuration menu
<i>for all functions except solar, dimmer relay, super chlorinate pH dispense, low speed, and group</i>		
Lights Interlock Disable	+-<>	Toggle between Enabled and Disabled (default) Lights Interlock Move to next menu item
<i>for group function only</i>		
Lights Group Timer: None(Manual)	+-<>	Rotates between Manual On/Off (default), Countdown Timer and Timeclock Move to next menu item
<i>for group function only</i>		
Lights Group Filter: Unaffected	+-<>	Options available depend on the function that is selected Move to previous/next menu item or next configuration menu
<i>for all functions except solar, dimmer relay, super chlorinate pH dispense, low speed, and group</i>		
Lights Ext Input Disabled	+-<>	Toggle between Enabled and Disabled (default) Move to previous/next configuration menu
<i>for all functions except dimmer relay, super chlorinate pH dispense, low speed, and group</i>		
Lights Freeze Disable	+-<>	Toggle between Enabled and Disabled (default) Lights Freeze Move to previous/next configuration menu
<i>if filter pump is set to variable speed and the relay type is set to standard</i>		
Lights Pump Spd Settings Menu	+-<>	Select Settings Menu (default) or desired pump speed (Filter Lowest to Highest) Move to previous/next configuration menu

Lights Name

The Pro Logic allows you to assign any one of a number of names (e.g. “Pool Light, Spa Light, Deck Light, etc.) to this control function. Note that other lights may be assigned to other Aux outputs. This will make the Pro Logic much more user friendly to the homeowner when they want to turn various lights on or off. A sheet of small name labels is included with the Pro Logic main unit and each remote display/keypad so that the “Lights” pushbutton can be labeled the same as the name that you have assigned. At this time it is also a good idea to make sure that the relay in the control box is also labeled (hand written) with the same name as a help to technicians who may service this system at a later date.

Lights Function

Although designated as the “Lights” output, the function of the lights relay is similar to the Aux relays. If pool lights are wired to the lights relay, some options including Solar function, Low Speed of a 2-Speed Filter Pump, Lights Interlock and Lights Freeze Protection are not applicable and should be disabled. If no pool lights are used, the lights relay can be used to control other pool devices that may require these options. The function of each option is shown below.

Manual On/Off—the lights relay will alternate between turning on and off when the LIGHTS button is pressed. There is no automatic control logic.

Countdown Timer—the lights relay will turn on when the LIGHTS button is pressed. The lights relay will turn off automatically after a programmed time (see Timers Menu in Operation Manual). The LIGHTS button can also be used to turn the output off.

Low Speed of a 2-speed Filter Pump – the Pro Logic will turn on the lights relay whenever the low speed operation of the filter pump is required. It is very important that the “2-speed” filter pump option be selected under the “Filter Config.” Menu for proper operation.

Solar Extend

If “Enabled”, the filter extend logic keeps the filter pump running beyond the normal turn-off time if solar heat is still available. When solar heat is no longer available, both the solar valve/pump and filter pump will turn off simultaneously. Solar extend will NOT cause the filter pump to turn on, it will only delay the turn off time when solar is operating.

Solar Priority

If both “Solar Control” and “Heater Control” are enabled, the Solar Priority feature will keep the conventional heater off whenever solar heat is available. This provides the most cost effective way of heating the pool. When solar heat is not available, the conventional heater will operate normally.

Allow Low Speed

This menu only appears if the pool filter is configured for 2-speed operation. During default operation, high speed mode is used whenever the solar heater is on. If Allow Low Speed is enabled, low speed pump operation will be allowed during solar heating except for the first 3 minutes after solar heat turns on.

only if optional ColorLogic Network Module is detected at power up

ColorLogic Config. + Push to activate ColorLogic options
+ to view/change <> Move to previous/next configuration menu

ColorLogic Config.

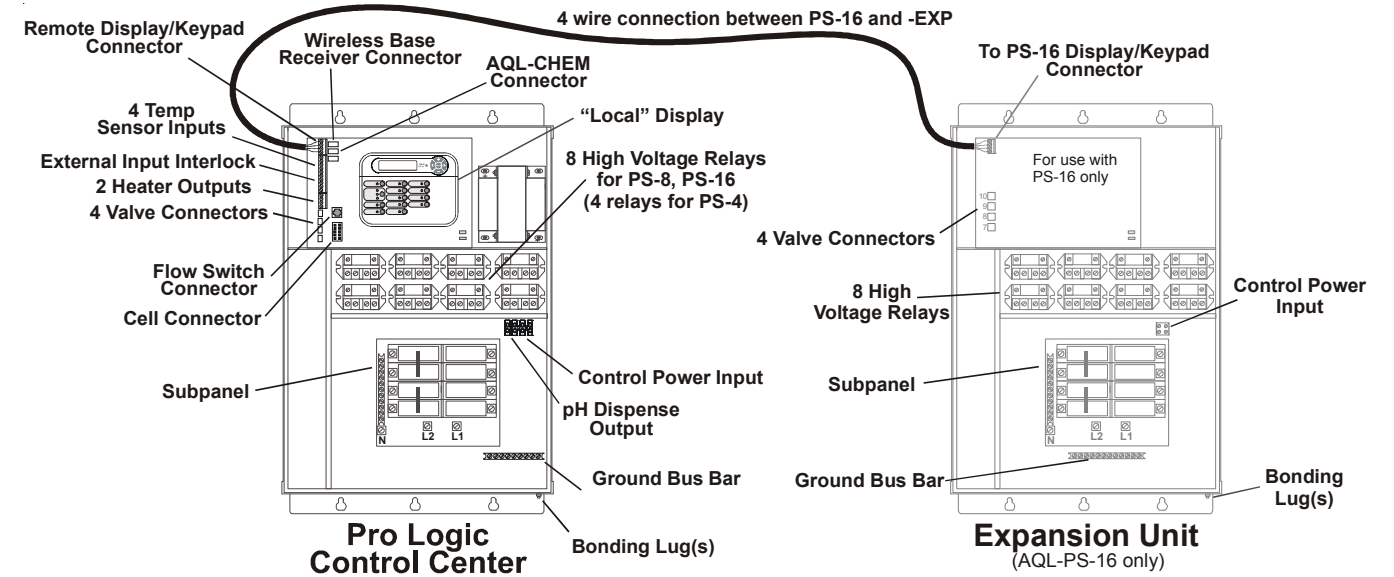
This menu appears if the optional ColorLogic Network Module is installed and detected at power up. Refer to the AQL-COLOR-MODHV manual for detailed installation and operation instructions.

External Input Active Closed +-- Toggle between Open and Closed (default)
<> Move to next menu item or previous/next configuration menu

External Input

The external input device can either be normally open or normally closed. In this menu, select the state of the external input device when active. For example, if the switch is normally open and closes when active, set External Input to “Active Closed”.

4. Electrical Wiring



The Pro Logic Control Center and PS-16 Expansion Unit require both high and low voltage connections. Low voltage connections will be made to actuators, sensors, remote keypad, etc. High voltage connections will be made to pumps, lights, etc., as well as providing direct input power to the Control Center. Always:

- Ensure that Power is disconnected prior to doing any wiring
- Follow all local and NEC (CEC if applicable) codes
- Use copper conductors only

Main Service (Power to the Circuit Breaker Subpanel)

The Pro Logic circuit breaker subpanel is rated for 100A service. Run properly rated conductors (L1, L2, N, and ground) from the primary house electrical panel to the main power connections on the Pro Logic circuit breaker base. The connection at the main house panel should be to a 240VAC circuit breaker rated at 100A maximum.

Grounding and Bonding

Connect a ground wire from the primary electrical panel to the Pro Logic ground bus bar. Also ground each piece of high voltage (120 or 240VAC) equipment that is connected to the Pro Logic control relays or circuit breakers. The Pro Logic should also be connected to the pool bonding system by an 8AWG (6AWG for Canada) wire. A lug for bonding (2 for Canada) is provided on the outside/bottom of the Pro Logic enclosure.

Circuit Breaker Installation and Wiring

Circuit breakers are to be supplied by the installer. See the chart below for a list of suitable circuit breakers that can be used. Follow the code and the circuit breaker manufacturer’s rating requirements regarding the size and temperature rating for wiring. Note that some pool equipment may be required to be connected to ground fault circuit breakers—check local and NEC (CEC) codes.

SUITABLE LISTED BREAKERS							Tightening Torque
Manufacturer	Single	Double	Twin	Quad	GFCB	Filler Plates	
Cutler-Hammer	BR	BR	BRD	BRD	GFCB	BRFP	25lb-in
Murray	MP-T	MP-T	MH-T	MH-T	MP-GT	LX100FP	25lb-in
Siemens	QP	QP	QT	QT	QPF	QF3	25lb-in
Square D	HOM	HOM	HOMT	HOMT	HOM-GFI	HOMFP	25lb-in
Thomas & Betts	TB	TB	TBBD	TBBQ	GFB	FP-1C-TB	25lb-in
G.E.	THQL	THQL			THQL-GF	TFH	25lb-in

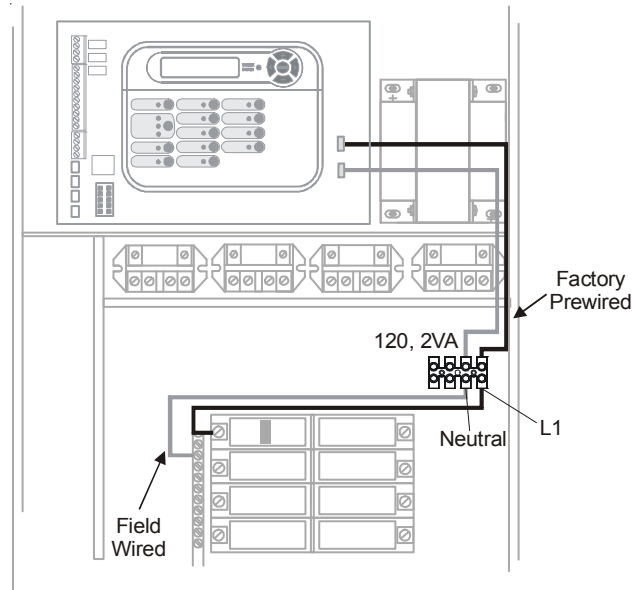
General Purpose Outlet

If desired, a duplex receptacle with weatherproof cover (supplied by installer) may be installed in the knockouts on the lower right side of the Pro Logic enclosure. Per code, the receptacle should be a GFCI type. Alternatively, connect a standard receptacle to a GFCB.

Pro Logic Control Power

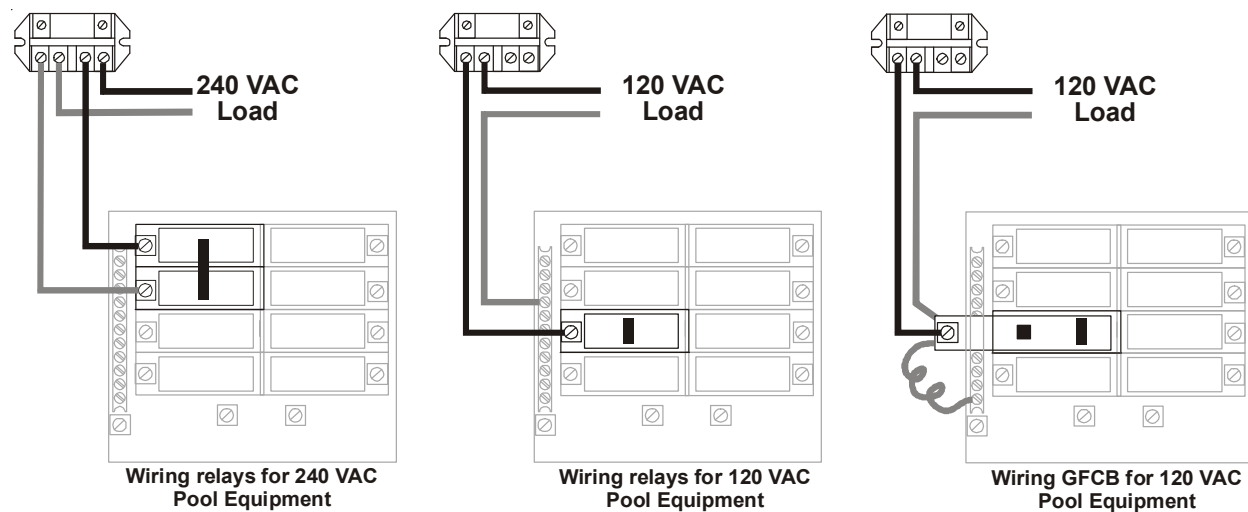
The Pro Logic requires 120VAC, 2A power to operate the control logic circuits and the chlorinator. This power should be connected to one of the circuit breakers.

⚠ WARNING: 120VAC only (permanent damage if connected to 240V)



High Voltage (120/240V) Pool Equipment

All Pro Logic relays are double pole (they make/break both “legs” of 240V circuits) and are rated at 3HP/30A at 240V (1½HP/30A at 120V). Refer to the diagram below for typical relay wiring.



⚠ WARNING: Do not use the Pro Logic to control an automatic pool cover. Swimmers may become entrapped underneath the cover.

Heater Extend

If “Enabled”, the filter extend logic keeps the filter pump running beyond the normal turn-off time until the pool (or spa) is heated up to the desired temperature setting (see Settings Menu). Heater extend will NOT cause the filter pump to turn on, it will only delay the turn off time when the heater is operating.

For a Pool/Spa Setup selection of “Pool Only”, “Spa Only” or “Pool and Spa-Std”, Heater1 and/or Heater2 will keep the filter pump running. For “Pool and Spa-Dual”, Heater1 will keep the spa filter running and Heater2 will keep the pool filter running.

Allow Low Speed

This menu only appears if the filter is configured for 2-speed operation. During default operation, high speed mode is used whenever the heater is on. If Allow Low Speed is enabled, low speed will be allowed even if the heater is on.

Minimum Speed

This menu only appears if the filter is configured for variable speed operation. This is the minimum speed the pump will run at when the heater is on. The selection is from Filter Lowest to Filter Highest speed.

Heater2 is Heatpump

This menu appears in the Heater2 configuration menu if Heater2 is enabled. If set to “Yes”, Heater2 will only be allowed to be on if the Air Temperature is $\geq 50^{\circ}\text{F}$. Also, two new menus, Spa Heater2 Priority and Pool Heater2 Priority, will appear in the Settings Menu. Refer to the Settings Menu for more information on these new menus.

Solar Config. + to view/change	+ Push to access solar options <> Move to previous/next configuration menu
Solar Disabled	+ - Toggle between Enabled and Disabled (default) Solar <> Move to next menu item or previous/next configuration menu
<i>if “Solar” is enabled</i> Solar-Extend Disabled	+ - Toggle between Enabled and Disabled (default) Solar Extend <> Move to next menu item
<i>if “Solar” is enabled</i> Solar Priority Disabled	+ - Toggle between Enabled and Disabled (default) Solar Priority <> Move to next menu item
<i>if “Solar” is enabled and “2-speed Filter” is selected</i> Allow Low Speed Disabled	+ - Toggle between Enabled and Disabled (default) <> Move to next menu item or previous/next configuration menu

Solar

The Solar configuration menu will NOT appear if “Pool and Spa - Dual” has been selected in the Pool/Spa setup menu. If the solar control logic is “Enabled”, several additional steps must be taken to ensure proper operation of the solar heating system. If the solar is operated by a valve, then a valve (Valve3 or Valve4) output must be setup for solar logic (page 37). If the solar is operated by a pump, then one of the AUX relays must be set up for solar logic (page 34). Also, the “solar” temperature sensor must be installed. This sensor is typically mounted near the collector array and is used to sense whether sufficient solar heat is available.

If solar is “Enabled”, the valve or solar pump relay will turn on when the water temperature is less than the desired temperature setting AND the solar sensor is hotter than the water by at least 8°F. The desired temperature is in the “Settings Menu”. If applicable, the homeowner will be prompted to enter separate pool and spa desired temperature settings. Depending on the position of the pool/spa suction valve, the proper temperature setting will be used.

External Input

When enabled, the filter pump will be forced off when the external input is active. Note that freeze protection will have precedence over this feature.

NOTE: Heater1 and Heater2 configuration are identical. If Heater2 is enabled then Valve4 will automatically be disabled due to the fact that they use the same output relay and only 1 function can be assigned to that relay.

Heater1 Config. + to view/change	+ Push to access heater options <> Move to previous/next configuration menu
Heater1 Disable	+/- Toggle between Enabled and Disabled (default) Heater 1 <> Move to next menu item or previous/next configuration menu
<i>if "Heater1" is enabled</i> Heater1 Name Gas Heater	+/- Rotates between all available names <> Move to next menu item
<i>if "Heater1" is enabled</i> Heater1 Cooldown Disabled	+/- Toggle between Enabled and Disabled (default) Heater 1 Cooldown <> Move to next menu item
<i>if "Heater1" is enabled</i> Heater1 Extend Disabled	+/- Toggle between Enabled and Disabled (default) Heater 1 Extend <> Move to previous/next configuration menu
<i>if "Heater1" is enabled and 2-speed filter pump is selected</i> Allow Low Speed Disabled	+/- Toggle between Enabled and Disabled (default) <> Move to next menu item or previous/next configuration menu
<i>if "Heater1" is enabled and variable speed filter pump is selected</i> Minimum Speed 50%	+/- Select the desired minimum filter pump speed for Heater 1 (Filter Lowest to Highest) <> Move to next menu item or previous/next configuration menu
<i>display for Heater2 if "Heater2" is enabled</i> Heater2 is Heatpump No	+/- Toggle between Enabled and Disabled (default) <> Move to previous/next configuration menu

Heater1

If the heater is "Enabled", the heater relay will turn on when the water temperature is less than the desired temperature setting and the filter pump is running. The desired temperature is in the "Settings Menu". If applicable, the homeowner will be prompted to enter separate "pool" and "spa" settings. Depending on the position of the pool/spa suction valves, the proper temperature setting will be used.

Heater Name

The Pro Logic allows you to assign any one of a number of names (e.g. "Gas Heater, Heat Pump, etc.) to each of the heater control functions. This will make the Pro Logic much more user friendly to the homeowner when they want to turn various heaters on or off or set temperatures. A sheet of small name labels is included with the Pro Logic main unit and each remote display/keypad so that appropriate pushbuttons can be labeled the same as the name that you have assigned.

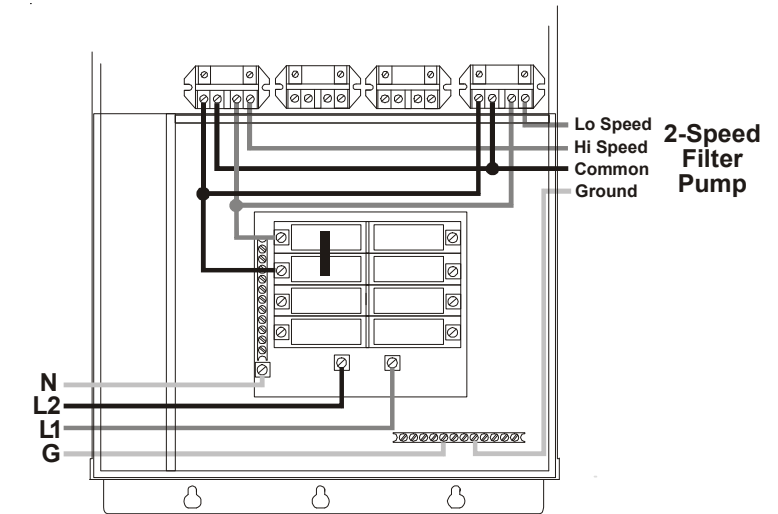
Heater Cooldown

This feature ensures that the heater cools down before water circulation is stopped. When enabled, the Pro Logic will continue to run the filter pump for 5 minutes after the heater turns off. During this period the filter pump LED will flash and also a "Heater Cooldown, X:XX remaining" message will scroll on the display.

When the filter pump is running and the heater is on: Pressing the "Filter" button once will cause the heater to turn off, but the filter pump will continue to run for heater cooldown (filter LED flashing and message on display). Pushing the filter button a second time will override the heater cooldown operation and turn the filter pump off.

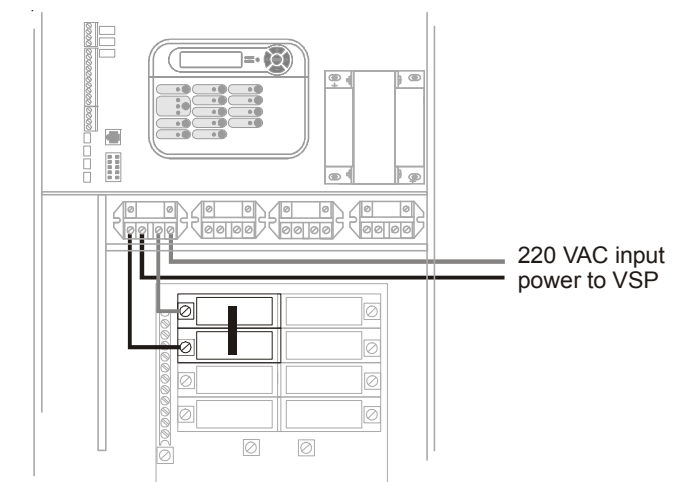
For a Pool/Spa Setup selection of "Pool Only", "Spa Only" or "Pool and Spa-Std", Heater1 and/or Heater2 cooldown affect the filter pump. For "Pool and Spa-Dual", Heater1 is associated with the spa filter and Heater2 with the pool filter.

Two speed filter pump: Requires 2 relays (FILTER plus one of the AUX relays) for proper operation of both speeds. **IMPORTANT:** Be sure to follow the wiring diagram below AND to configure the control logic according to the instructions on page 26.



Lights: A ground fault circuit breaker must be used to supply power for high voltage pool/spa lighting. Low voltage lights will require an external transformer. For lighting systems that have both a light source and color wheel, connect the light source to the "Lights" relay and then connect the color wheel to one of the AUX outputs. ColorLogic networked pool/spa lights require the installation of an AQL-COLOR-MODHV and unique wiring. Refer to the AQL-COLOR-MODHV manual for detailed installation and wiring information.

Hayward Variable Speed Pump: Proper installation of a Hayward Variable Speed Pump (VSP) includes high voltage input wiring, low voltage communication wiring, and menu configuration/settings. The Pro Logic can control up to 2 Hayward TriStar VSPs and 8 EcoStar VSPs. Refer to the diagram below for proper input wiring to the VSP. Wiring from the 220V breaker must connect through the Pro Logic's Filter/Lights/Aux relay. Refer to VSP Address Setting on page 18 to determine which relays can be used with your pump. The selected relay will supply input power to the VSP pump control and be on when the output is on. When the output is off, the relay will be off. Note that when the relay is off (power off to the VSP), the Pro Logic will not display errors or diagnostics for the pump. The relay must be on for diagnostic function. Refer to the VSP manual(s) for detailed wiring information.



pH Dispense Output: NOTE: The Pro Logic can only be used with a 120VAC pH dispensing device. There are two Pro Logic versions that require different installation techniques. Pro Logics operating with a software version less than 4.00 require the pigtail or pH dispensing device to be connected to an internal relay. Units using version 4.00 or later have a dedicated pH output through the screw terminals mounted on the inside of the enclosure (shown on page 12). Refer to the AQL-CHEM's pH dispense wiring instructions that relates to your particular version.

Hayward ColorLogic Network Module: Refer to the AQL-COLOR-MODHV manual for detailed installation and wiring information.

Low Voltage Wiring

Valve Actuators

The Pro Logic can control up to four (PS-4/8) or eight (PS-16) 24V automatic valve actuators. Two of the valve outputs are dedicated to the pool/spa suction (Valve2) and return (Valve1) valves. Valve3 and Valve4 (Valves3, 4, 7-10 for PS-16) are for general purpose use (solar, water feature, in-floor cleaner, etc.). For installations with solar heating, Hayward offers the AQ-SOL-KIT-xx solar kit that contains a valve, actuator, and extra temperature sensor. The “xx” indicates the valve type from the 2 choices below:

- 1P 1.5” Positive Seal
- 2P 2” Positive Seal

The Pro Logic is compatible with standard valve actuators manufactured by Hayward, Pentair/Compool, and Jandy. See diagram on page 12 for the location of valve connectors.

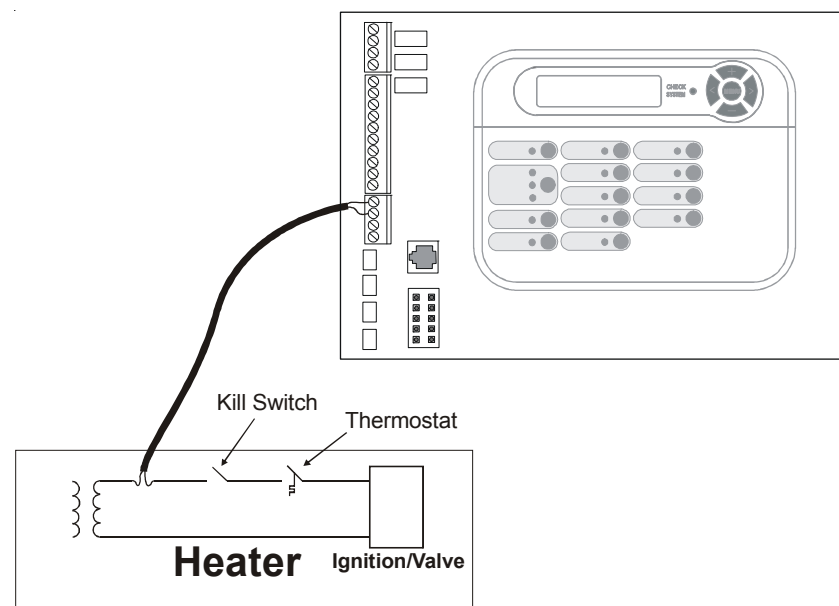
Heater Control

The Pro Logic allows for independent control of up to 2 heaters plus a solar heating system if applicable. A typical use for this feature is on a pool that has both a gas heater (for rapid heating of the spa) and a heat pump (for economical heating of the pool). **IMPORTANT: If you chose to use the “Heater2” control output, then you will not be able to use the “Valve4” output.** These 2 functions use the same internal relay and only one can be enabled. In the configuration menu, if “Heater2” is enabled, then the configuration for “Valve4” will never appear. The heater interface wiring, as described below, is identical for “Heater1” and “Heater2” except for the terminal connections at the Pro Logic control.

The Pro Logic provides a set of low voltage dry contacts that can be connected to most gas heaters or heat pumps with 24V control circuits. Refer to the diagram on the following page for a generic connection. The manuals supplied with most heaters also include specific wiring instructions for connecting the heater to an external control (usually identified as “2-wire” remote control). For millivolt or line voltage heaters, contact Hayward Tech support, 908-355-7995. Refer to the diagrams and the information on the following pages for more details on the connection to several popular heaters.

Generic Heaters

1. Wire heater to 120/240V power source per the instructions in the heater manual. The Pro Logic does NOT control the power going to the heater.
2. Wire the Pro Logic dry contact heater output per the diagram below. Many internal parts of the heater can get very hot--see the heater manufacturer’s recommendations on the minimum temperature rating for wires. If no guidance is given, use 105°C rated wire.
3. Set any ON/OFF switch on the heater to ON.
4. Set the thermostat(s) on the heater to the maximum (hottest) setting.



if “Pool & Spa Dual” is selected

- Spa Filter Config. + Push to access Spa Filter options
+ to view/change <> Move to previous/next configuration menu item
- Spa Filter Pump + Rotates between 1-speed (default), 2-speed and variable speed options
1 Speed <> Move to next menu item

if “Variable Speed” is selected

- Lowest Speed + Adjust the lowest speed desired for variable speed operation
10% <> Move to next menu item

if “Variable Speed” is selected

- Highest Speed + Adjust the highest speed desired for variable speed operation
100% <> Move to next menu item

- Freeze Protect + Toggle between Enabled (default) and Disabled Freeze Protection
Enabled <> Move to next menu item or previous/next configuration menu

*if “Freeze Protect” is enabled
and “2-speed Filter” is selected*

- Freeze Protect + Toggle between high speed (default) and low speed
High Speed <> Move to next menu item

*if “Freeze Protect” is enabled
and “Variable Speed” is selected*

- Freeze Protect Speed + Select the desired Freeze Protection speed from Spa Filter Lowest to Highest speed
50% <> Move to next menu item

- External Input + Toggle between Enabled and Disabled (default)
Disabled <> Move to previous/next configuration menu

Spa Filter Pump

For 2-speed pumps: When a 2-speed pump is configured, one of the AUX relays must also be configured to control the low speed motor winding on the pump. Refer to the appropriate sections in the Installation manual for specific information regarding the control logic for 2-speed and variable speed pump operation.

For the Hayward variable speed pump: The Spa Filter (Aux1) relay is used to supply input power to the pump. The relay will be on when the filter pump output is on. When the filter pump output is off, the relay will be off. On, Off and speed is controlled by commands sent to the pump.

Lowest Speed

This is the lowest speed that the variable speed pump is allowed to run at. It is used as the lower limit in the Spa Low Speed Settings Menu. Set lowest speed from 10% (default) to 50%.

Highest Speed

This is the highest speed that the variable speed pump is allowed to run at. It is used as the upper limit in the Spa High Speed Settings Menu. Also, this is the speed that the pump will run during the first 3 minutes of operation anytime the pump has been off for more than 30 seconds. Set highest speed from 20% to 100% (default).

Freeze Protection

Freeze protection is used to protect the spa and plumbed equipment against freeze damage. If freeze protection is enabled and the AIR temperature sensor falls below the freeze threshold (selectable in Filter Configuration Menu - page 26), the Pro Logic will turn on the spa filter pump to circulate the water.

Freeze Protection Speed

This menu only appears if freeze protection is enabled and the pump is configured for 2-speed or variable speed pump operation. If the pump turns on due to freeze protection only, the pump will run at this speed.

2-Speed pumps: Select high (default) or low speed operation.

Variable Speed pumps: Select the desired speed (from Filter Lowest to Filter Highest speed).

they want to control the filter equipment. A sheet of small name labels is included with the Pro Logic main unit and each remote display/keypad so that appropriate pushbuttons can be labeled the same as the name that you have assigned.

Filter Pump

For 2-speed pumps: When a 2-speed pump is configured, one of the AUX relays must also be configured to control the low speed motor winding on the pump. Refer to the appropriate sections in the Installation manual for specific information regarding the control logic for 2-speed and variable speed pump operation.

For the Hayward variable speed pump: The Filter relay is used to supply input power to the pump. The relay will be on when the filter pump output is on. When the filter pump output is off, the relay will be off. On, off and speed is controlled by commands sent to the pump.

Lowest Speed

This is the lowest speed that the variable speed pump is allowed to run at. It is used as the lower limit in the Low Speed Settings Menu. Set lowest speed from 10% (default) to 50%.

Highest Speed

This is the highest speed that the variable speed pump is allowed to run at. It is used as the upper limit in the High Speed Settings Menu. Also, this is the speed that the pump will run at during the first 3 minutes of operation anytime the pump has been off for more than 30 seconds. Set highest speed from 20% to 100% (default).

Flow Monitor

This feature will help protect the filter pump from damage due to no flow. When used with a Hayward flow switch, the Pro Logic monitors the state of water flow when the filter pump is on. If no flow is detected for more than 15 minutes, the Pro Logic will shut down the pool pump and the "Check System" LED will indicate an error. The error will be cleared the next time the pump is turned on.

Freeze Protection

Freeze protection is used to protect the pool and plumbed equipment against freeze damage. If freeze protection is enabled and the AIR temperature sensor falls below the freeze threshold (see below), the Pro Logic will turn on the filter pump to circulate the water. If "Pool and Spa" is selected in the Pool/Spa sub-menu (see page 18), the valves will also alternate between the pool and spa every 30 minutes and the filter pump will turn off while the valves are turning. The chlorinator will not operate if freeze protection is the only reason the pump is running.

Freeze Protection Speed

This menu only appears if freeze protection is enabled and the pump is configured for 2-speed or variable speed pump operation. If the pump turns on due to freeze protection only, the pump will run at this speed.

2-Speed pumps: Select high (default) or low speed operation.

Variable Speed pumps: Select the desired speed (from Filter Lowest to Filter Highest speed).

Freeze Protection Temperature

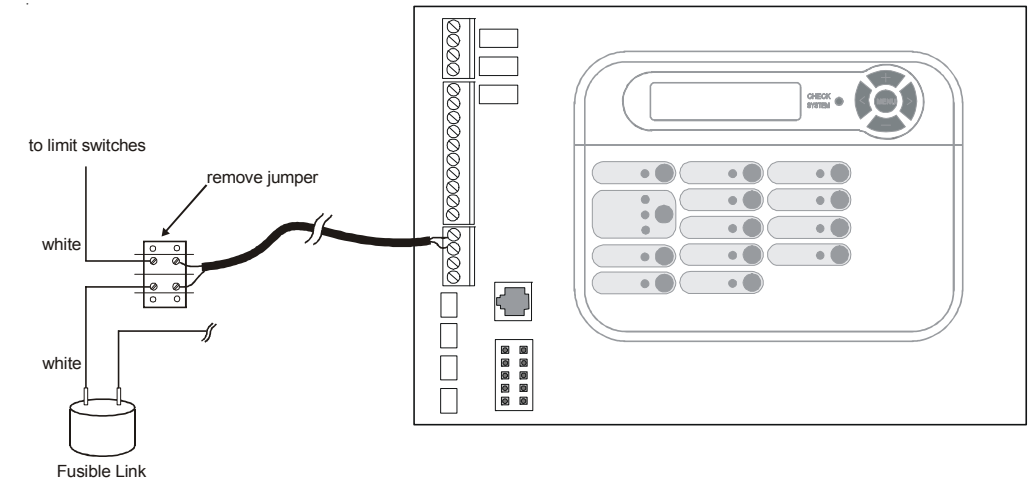
Select the temperature to be used for freeze protection. Temperature is adjustable from 33°F-42°F (1°C-6°C). 38°F (3°C) is default. This threshold will be used for all outputs that have freeze protection enabled.

External Input Interlock

When enabled, the filter pump will be forced off when the external input is active. Note that freeze protection will have precedence over this feature.

Lars Heaters

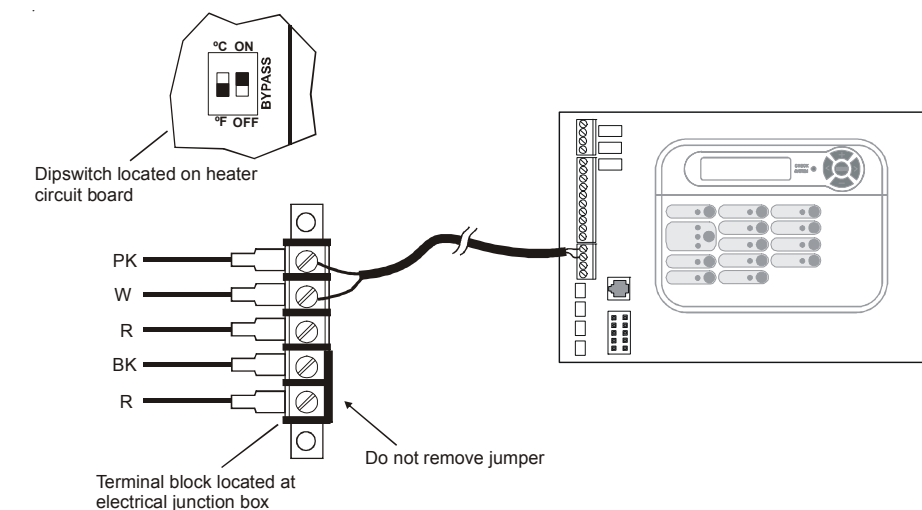
1. Turn power off to heater.
2. Remove factory jumper from terminal block.
3. Wire Pro Logic to the heater as shown.
4. Ensure toggle switch is in the ON position.
5. Set heater thermostats to maximum position.



Hayward Heaters

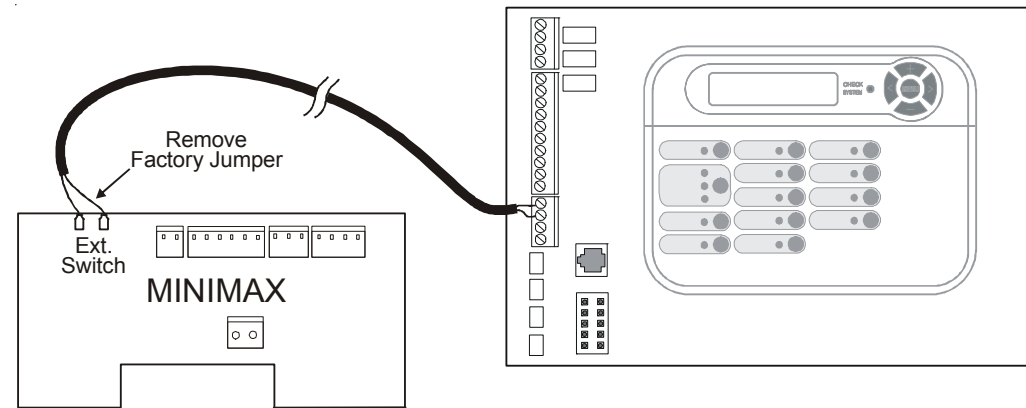
Refer to the instructions in the heater manual for "2-wire Remote Thermostat" operation under "Remote Control Connections" and the diagram on the below:

1. Turn off power to heater.
2. Wire Pro Logic to terminals 1 & 2 (see diagram).
3. Leave jumper attached to terminals 4 & 5.
4. Move "BYPASS" dipswitch on heater circuit board to "ON" position (up).
5. Turn heater power back on.
6. Switch heater to either "Pool" or "Spa" (it doesn't make any difference which is selected, the Pro Logic will take control).
7. Heater display should be "bO" (for "bypass On).
8. Heater will fire whenever Pro Logic requests (when Pro Logic "Heater" LED is illuminated).



Pentair/Purex/MiniMax

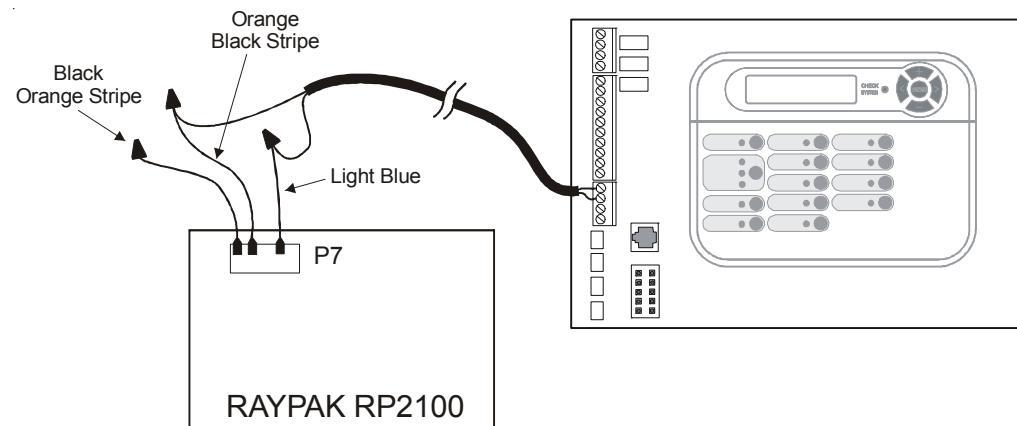
1. Turn power off to heater.
2. Remove factory installed jumper from the “Ext Switch” connector.
3. Wire the Pro Logic to the “Ext Switch” connector as shown below.
4. The wires to the Pro Logic must be separated from any line voltage wires. Failure to follow these instructions may cause erratic operation of the heater.
5. Set the Power (Thermostat Select) switch to either “Pool” or “Spa”.
6. Set the “Pool” and “Spa” thermostats to their maximum settings.



Raypak RP2100 Pool/Spa Heater

1. Turn power off to heater.
2. Push the mode button to “spa” mode.
3. Set the temperature to the maximum.
4. Push the mode button to “OFF”.
5. Lastly, plug the prewired connector in the P7 position on the board.

⚠ IMPORTANT: The heater will display “OFF” when it is being remotely controlled by the Pro Logic. Some homeowners see the “OFF” display and, thinking this is a mistake, change the mode to “POOL” or “SPA” which then disables the remote control by the Pro Logic. To prevent this: Remove the heater touch pad connector (P5) which will disable the touchpad.



Drawing is for digital heater. If heater is a millivolt (analog), run red wires from Fireman's Switch to heater relay.

switched to spa) by successive presses of the “Pool/Spa” button. For “Pool and Spa-Dual”, only “Pool Only” and “Spillover” are available.

Filter Operation

If “Spa Spillover” is selected, the Pro Logic will automatically switch the pool/spa suction and return valves to “spillover” at the start of the programmed pool filtering time period or when the super-chlorinate function is turned on. The valves will remain in this position for the remainder of the super-chlorinate period. This option is usually preferable because both the pool and spa water will be filtered and sanitized.

If “Pool Only” is selected, then the Pro Logic will switch the pool/spa valves to the “pool only” position at the start of the programmed pool filtering time period or when the super-chlorinate function is turned on. This may be desirable on some systems with in-floor cleaners because it allows the cleaner to operate all the time the pool is being filtered and/or the super chlorinate is running.

V1=Aux1, V2=Aux2

This menu appears only if the Pool/Spa Setup is “Pool Only” or “Spa Only”. When enabled, Valve 1 (return) will follow the Aux1 output and Valve 2 (suction) will follow the Aux2 output. When disabled (default), the return and suction pool/spa valves function normally.

Filter Off Valve Change

This menu appears only if Pool/Spa setup is set to “Pool and Spa”. When enabled (default), the filter pump will shut off for 35 seconds whenever the Pool/Spa valves are turning. The pump will NOT shut off when the heater has Cooldown enabled and is either on or in the Heater Cooldown mode.

Filter Config. + to view/change	+ Push to access pump options <> Move to previous/next configuration menu
Filter Name Pool Filter	+ Rotates between all available names <> Move to next menu item
Filter Pump 1 Speed	+ Rotates between 1-speed (default), 2-speed and variable speed options <> Move to next menu item
<i>if “Variable Speed” is selected</i> Lowest Speed 10%	+ Adjust the lowest speed desired for variable speed operation <> Move to next menu item
<i>if “Variable Speed” is selected</i> Highest Speed 100%	+ Adjust the highest speed desired for variable speed operation <> Move to next menu item
Flow Monitor Disabled	+ Toggle between Enabled and Disabled (default) Flow Monitor <> Move to next menu item
Freeze Protect Enabled	+ Toggle between Enabled (default) and Disabled Freeze Protection <> Move to next menu item or previous/next configuration menu
<i>if “Freeze Protect” is enabled and “2-speed Filter” is selected</i> Freeze Protect High Speed	+ Toggle between high speed (default) and low speed <> Move to next menu item
<i>if “Freeze Protect” is enabled and “Variable Speed” is selected</i> Freeze Protect Speed 50%	+ Select the desired Freeze Protection speed from Filter Lowest to Filter Highest speed <> Move to next menu item
<i>if “Freeze Protect” is enabled</i> Freeze Temp 38°F	+ Adjust the desired freeze protection temperature (33°F - 42°F) <> Move to next menu item
External Input Disabled	+ Toggle between Enabled and Disabled (default) <> Move to previous/next configuration menu

Filter Name

The Pro Logic allows you to assign any one of a number of names (e.g. “Filter Pump, Pool Filter, Spa Filter, etc.) to the filter relay. This will make the Pro Logic more user friendly to the homeowner when

Chemistry Config. Wizard + to enter
 + Press to access Chemistry Config. Wizard
 <> Move to previous/next menu item

Chemistry Configuration Wizard

Requires use of the optional AQL-CHEM Sensing Kit. Following the steps of the Chemistry Config. Wizard will set up the AQL-CHEM to sense ORP and pH levels and, if the chlorination function is used, can configure the Pro Logic to generate the correct amount of chlorine to properly sanitize the pool. Refer to the AQL-CHEM manual for more detailed information.

Pool/Spa Config. + to view/change
 + Push to access Pool/Spa options
 <> Move to previous/next configuration menu

Pool/Spa Setup Pool and Spa-Std
 + Rotates between Pool and Spa-Std (default), Pool and Spa-Dual, Pool Only, and Spa Only options
 <> Move to next menu item

if "Pool and Spa-Dual" is selected

Heaters Htr1=Spa, Htr2=Pool
 + Rotates between Htr1=Spa, Htr2=Pool (default) and Shared Heaters
 <> Move to next menu item

if "Pool and Spa-Std" is selected

Spa - CountDn 00:30
 + Adjust time setting (Manual On/Off, 0:05, 0:10, 0:15..., (default is 4:00))
 <> Move to next menu item

if "Pool and Spa-Std or Dual" is selected

Spa Spillover Enabled
 + Toggle between Enabled and Disabled (default) Spa Spillover
 <> Move to next menu item or previous/next configuration menu

if "Pool and Spa-Std or Dual" is selected and if "Spa Spillover" is enabled

Filter Operation Spa Spillover
 + Toggle between Pool Only (default) and Spa Spillover options
 <> Move to previous/next configuration menu

if "Pool Only" or "Spa Only" is selected

V1=Aux1, V2=Aux2 Disabled
 + Toggle between Enabled and Disabled (default)
 <> Move to previous/next configuration menu

if "Pool and Spa-Std" is selected

Filter Off Valve Change: Enabled
 + Toggle between Enabled (default) and Disabled
 <> Move to previous/next configuration menu

Pool/Spa Setup

If "Pool Only" or "Spa Only" are selected, then the pool/spa valves are not needed and pushing the POOL/SPA button on the display/keypad will have no effect. If "Pool and Spa-Std" is selected, then the pool/spa suction and return valve actuators should be connected to the Pro Logic. Pressing the POOL/SPA button on the display/keypad will allow the homeowner to alternate between pool and spa operation. If "Pool and Spa-Dual" is selected, then only the Pool/Spa return valve actuator should be connected to the Pro Logic.

Heaters

This menu will only appear if Pool/Spa setup is set to "Pool and Spa-Dual". This allows the heater(s) to either be shared between the pool and spa ("Shared" selected) or for Heater1 to be dedicated to the spa and Heater2 to be dedicated to the pool ("Htr1=Spa, Htr2=Pool" selected).

Spa CountDn

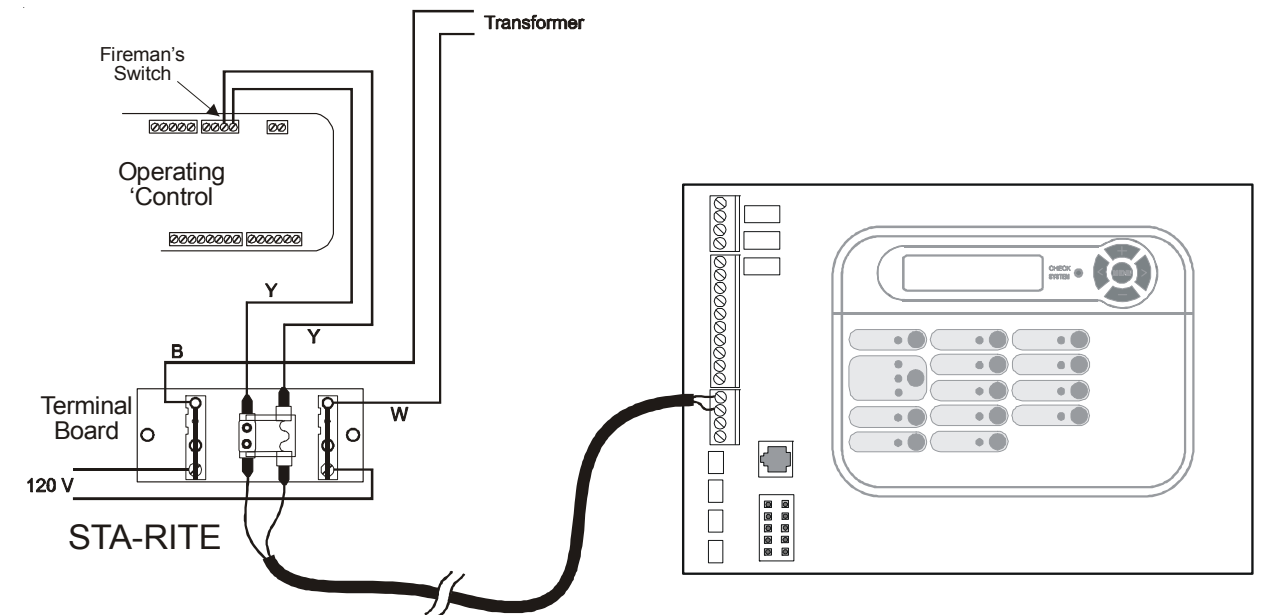
This menu will appear only if Pool/Spa Setup is set to "Pool and Spa-Std". This setting is the time, after you manually switch the Pool/Spa valves to "Spa Only", until the Pro Logic automatically returns the valves to their previous positions. It is programmed in increments of 5 minutes, from "Manual On/Off" (0 minutes) to "21:00" (21 hours). The filter is forced on during this time period.

Spa Spillover

When spa spillover is "Enabled" and "Pool and Spa-Std", the homeowner will be able to rotate through "Pool Only" (both suction and return valves switched to pool), "Spa Only" (both suction and return valves switched to spa) and "Spillover" (suction valve switched to pool and return valve

STA-RITE Heater

1. Turn power off to heater.
2. Remove upper jacket and open the control box.
3. Remove the jumper for the "fireman's switch."
4. Wire to the Pro Logic using wire rated for 105°C minimum.



Hayward Variable Speed Pump (VSP) Wiring and Address Setting

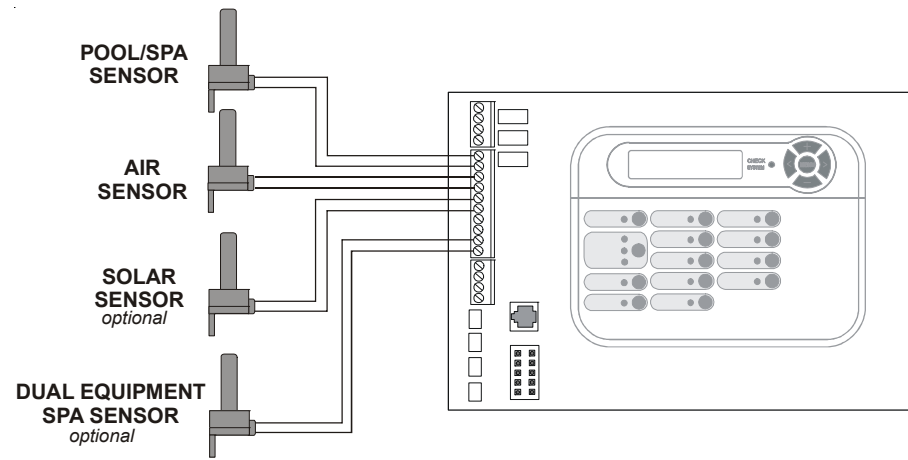
Refer to your TriStar or EcoStar manual(s) for proper low voltage communication wiring between the Pro Logic and the Hayward Variable Speed Pump.

A pump address must be configured for each VSP used in the system. This address is entered into the VSP's configuration menu. Refer to the table below to determine which address to use for your specific pump and Pro Logic. Select the proper address based on which output will be used and the model VSP you are configuring.

Pro Logic Output	VSP Address
This is the output used to control the VSP. Note that the VSP should be wired to this output's corresponding relay.	This is the name that should be selected under "Set COMM bus address" (EcoStar) or "*H.Comm ADDR." (TriStar) within the VSP's Configuration Menu.
FILTER - all Pro Logic models	"001" - Tristar "Pool Filter" - EcoStar
AUX1 - all Pro Logic models Dual Equipment Spa Filter - all models	"002" - Tristar "Aux1 / Spa Filter" - EcoStar
LIGHTS - all Pro Logic models	"Lights Button" - EcoStar only
AUX2 - all Pro Logic models AUX3-AUX6 - PS8 & PS16 models AUX7-AUX14 - PS16 models	Aux2-Aux14 - EcoStar only (use same as Pro Logic Output)

Temperature Sensors

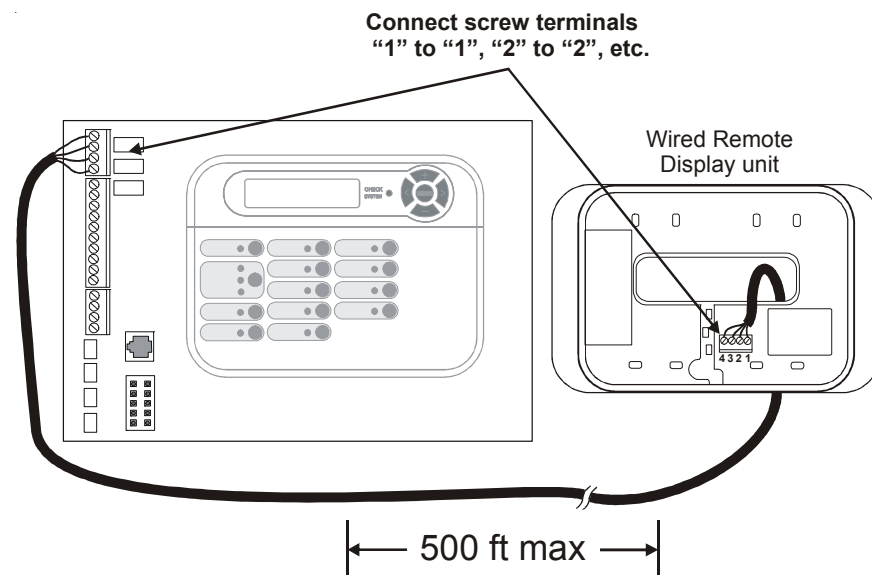
The Pro Logic utilizes 10K ohm thermistor type sensors. Three sensors (water temperature, air temperature and solar or dual equipment spa temperature) are included. If the Pro Logic is being used to control a solar heating system, the solar sensor is required. If dual equipment will be used, the dual equipment spa sensor (spa temperature for "Pool and Spa-Dual") is required. If both solar and dual equipment are desired, another temperature sensor must be purchased separately. The sensors are provided with a 15 ft. cable. If a longer cable is required, contact the Hayward service dept. (908-355-7995) for information on suitable cable types and splices. See Temperature Sensors on page 6 for directions on installing sensors.



Wired Remote Display/Keypad

The Pro Logic main unit can connect to a maximum of 3 remote wired display/keypads. Wired display/keypads must be ordered separately.

Use four conductor cable (typically phone cable) to connect the wired remote display/keypad with the Pro Logic Control Center as shown below. The maximum wiring distance is 500ft. (160m). Note that the terminals on both the Pro Logic main unit and the wired remote display/keypad are numbered: Connect 1 to 1, 2 to 2, etc. Refer to diagram below.



If multiple remote display/keypads are installed: Never connect more than 2 wires to any terminal block. Two remotes can be wired back to the Pro Logic main unit or the second display/keypad (and third, if applicable) can be "daisy chained" with one display/keypad wired to the next. The maximum wire run from the Pro Logic main unit to the furthest remote display/keypad is 500 ft (160m).

Accessing the Configuration Menus

Configuring the Pro Logic requires that you navigate through the Configuration Menu and input various information. For more detailed information about using the Pro Logic menu system, refer to the Operation Manual.

To access the Configuration Menus

- Configuration Menu-Locked Press repeatedly until "Configuration Menu" is displayed
- Press BOTH buttons SIMULTANEOUSLY for 5 seconds to unlock
- Configuration Menu-Unlocked Move to configuration menu items

NOTE: The configuration menu automatically "locks" after 2 minutes of no buttons being pressed to prevent unauthorized people from changing the control logic inadvertently and possibly damaging the pool equipment or causing a "call back" to fix the configuration.

Configuration Menus

Each item needs to be programmed and may contain additional sub-menu items. Refer to the following pages for information on programming.

- Chlor. Config. + to view/change Push to access Chlorinator option
- Move to next configuration menu
- Chlorinator Enabled Toggle between Chlorinator Enabled and Disabled (default)
- Move to next menu item
- Display Salt Toggle between Display Salt (default) and Minerals
- Move to previous/next configuration menu
- Cell Type T-CELL-15 Rotates between available Cell types
- Move to next menu item

Chlorinator

Requires the use of a chlorinator cell and P-KIT sold separately. If the chlorinator is enabled, then the cell and flow switch must also be installed and the Pro Logic will automatically chlorinate both the pool and spa according to the desired output setting (see Settings Menu in the Operation manual). If disabled (default), all displays relating to the chlorinator will be suppressed.

When the chlorinator is enabled, the Pro Logic will automatically detect and control any Aqua Rite(s) that is installed in the system.

Display

Allows for the display of salt (default) or mineral values.

Cell Type Selection

The Cell Type Menu appears after "Display Salt/Minerals" in the Chlorinator Configuration Menu. The options are T-CELL-15 (default), T-CELL-9, T-CELL-5 or T-CELL-3. Make the proper selection based on the chlorinator cell that is used in your system. Refer to the information below.

- "T-CELL-3" = T-CELL-3, GLX-CELL-3-W
- "T-CELL-5" = GLX-CELL-5, GLX-CELL-5-W
- "T-CELL-9" = T-CELL-9, GLX-CELL-9-W
- "T-CELL-15" = T-CELL-15, GLX-CELL-15-W

Note that all functions in the table may not be offered. The available functions are dependent on how the Pro Logic is configured. For example, if the Pro Logic is configured for a single heater, “Heater2” will not be available as an option in the Group menu. Also, under some circumstances, functions will be displayed but can’t be changed. Note that the function whose menu you are in, will not be displayed as an option and will automatically turn on when the group is activated. For example, if programming a Group function under the Lights menu, the Lights function will not be offered as an option and the Lights function will automatically turn on with the group.

The available control parameters vary with each function. All functions offer “Unaffected”, which should be selected if you do not wish to control that particular function within the group. All other parameters will depend on the particular function selected.

When activating Group functions, be aware that the most recent Group function that you activate will override any previous Group functions.

Heater Setpoints in Groups

The Pro Logic can be programmed to use alternate heater setpoints (conventional and/or solar) while running group commands. This allows the heater to be set to a higher or lower temperature than normal, while the group is activated. When the group stops, the setpoint will return to its normal setting.

Changing the setpoint while the Group is running will make the Group release the alternate setpoint control and revert back to the normal heater setting. Any changes that are made at that point will affect the normal heater setting. The next time the Group is activated, the temperature will return to the group setpoint that was originally programmed in the Configuration Menu. To change the setpoint while the Group is running, go to the Settings menu and press the +/- button while “Group Control” is displayed. The setpoint will change and be retained as the new normal heater setpoint.

Super Chlorinate

The Pro Logic can be programmed to Super Chlorinate the pool or spa while running a group command. When the Group starts, the Super Chlorinate cycle will begin. Super Chlorinate will continue until the preset time expires (see Timers Menu/Super Chlorinate Hours) or until the Group turns off. Changing the Super Chlorinate state using the Settings Menu, the Aqua Pod Super Chlorinate button, or a Super Chlorinate assigned Aux/Lights/Valve button will temporarily cancel the Group’s control of Super Chlorinate until the next time the Group is activated.

Variable Speed in Groups

The Pro Logic can be programmed to use alternate pump speeds while running group commands. This allows the pump(s) to be set to a higher or lower speed than normal, while the group is activated. When the group stops, the speed will return to its normal setting.

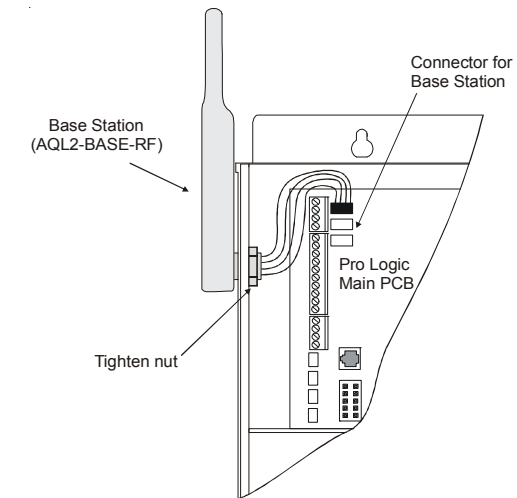
Changing the speed setting while the group is running will make the group release the alternate speed setting and revert back to the normal speed setting. Any changes that are made at that point will affect the normal speed setting. The next time the group is activated, the speed will return to the group speed setting that was originally programmed in the Configuration Menu. To change the speed setting while the group is running, go to the Settings menu and press the +/- button while “Group Control” is displayed. The speed setting will change to the normal speed setting.

PS-8 and PS-16 Virtual Models

Pro Logic Virtual models are similar to standard PS models, but offer additional auxiliary outputs with limited functionality. The PL-PS-8-V is similar to the PL-PS-4 with 4 additional Aux outputs. The PL-PS-16-V is similar to the PL-PS-8 with 8 additional outputs. The additional aux outputs on virtual models can only be assigned to the Super Chlorinate function (if the Chlorinator is enabled) or to a Group function. Refer to the following programming information when assigning functions to the virtual auxiliary outputs.

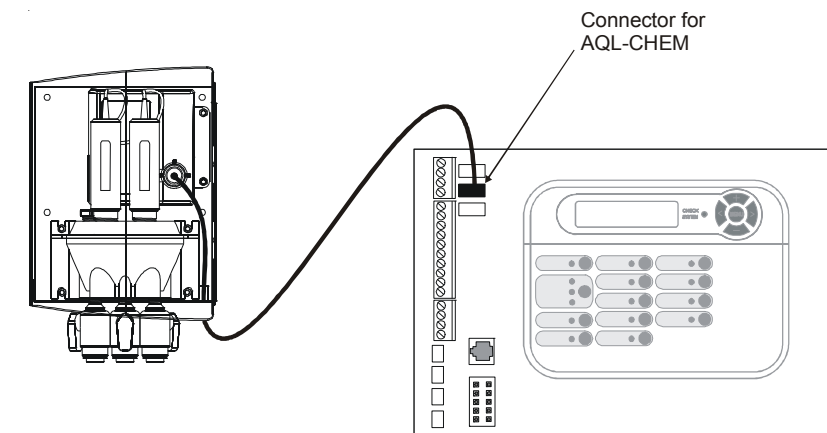
Base Station

Plug in the connector from the wireless base station into the “Wireless” connector on the main PCB in the Pro Logic control unit.



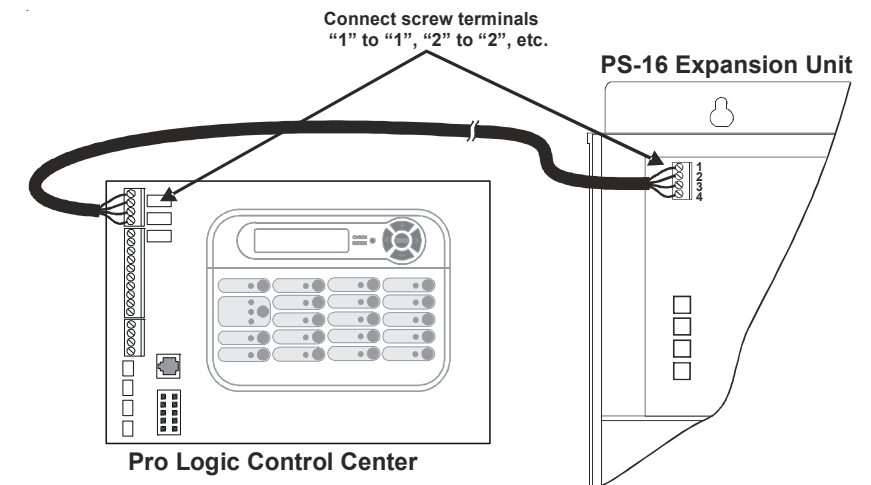
AQL-CHEM ORP and pH Sensing Kit

Plug in the connector from the AQL-CHEM into the “AQL-CHEM” connector on the main PCB in the Pro Logic control unit.



PS-16 Expansion Unit

Use four conductor cable (typically phone cable) to connect the PS-16 Expansion Unit to the Pro Logic Control Center as shown below. Note that the terminals on both the Pro Logic main unit and the PS-16 Expansion Unit are numbered: Connect 1 to 1, 2 to 2, etc. Refer to diagram below.



Flow Switch

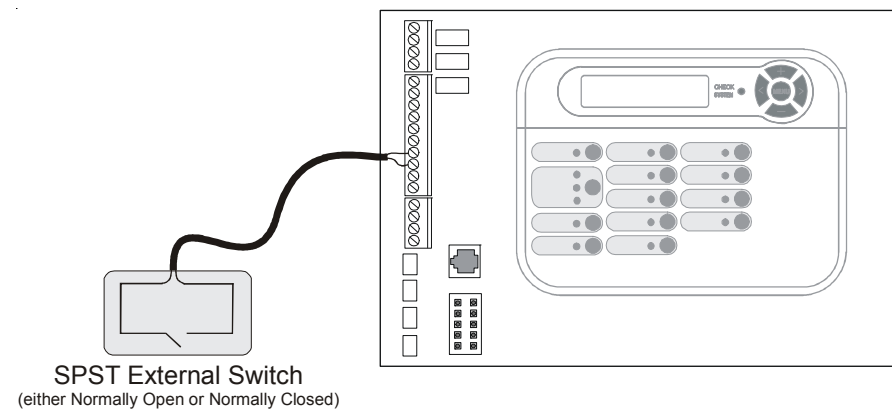
Only applicable if the chlorinator function is enabled and/or the flow monitor feature is desired. The flow switch cable plugs into the Pro Logic Control Center as shown in the diagram on page 12. Ensure that the connector catch "snaps" in order to provide a reliable connection.

Turbo Cell

Only applicable if the chlorinator function is enabled. The Turbo Cell should be plugged in after the Pro Logic cover panel is put back in place. Refer to page 12 for the location of the connector.

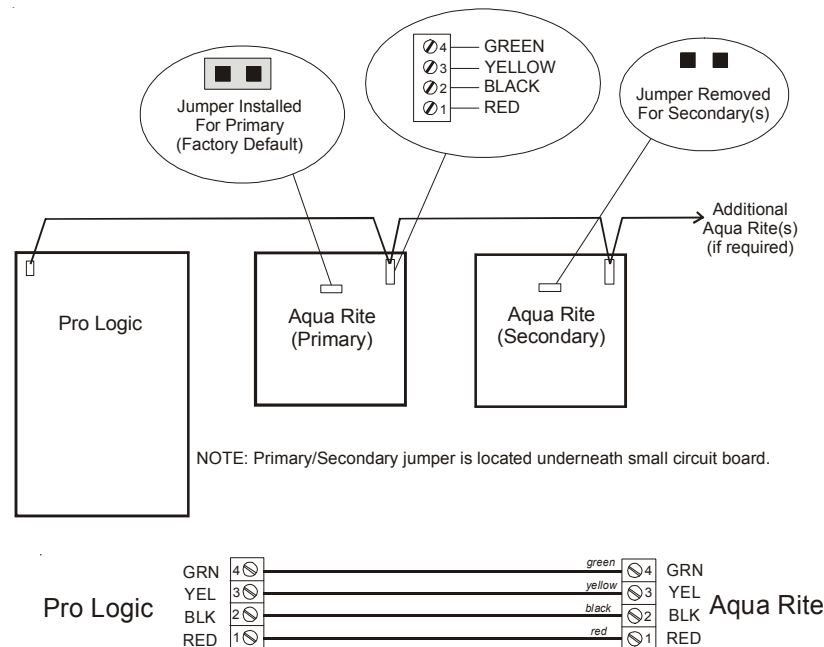
External Input Interlock

The External Input Interlock provides a means to force the filter pump or an Aux output off when certain conditions exist. A normally open or normally closed on/off external device must be connected to the Pro Logic as shown below. After properly configuring the Pro Logic (see Configuration), the filter pump and/or desired Aux will be forced off when the device is active.



Hayward Aqua Rite Chlorinator

The Pro Logic can control one or more Hayward Aqua Rite chlorinators when additional sanitizing capacity is required. A 4 wire connection is used to communicate to the Aqua Rite and can be wired up to 500' apart. Any outdoor rated 4 conductor cable can be used. Refer to the wiring diagrams below for proper wiring connection to the Aqua Rite. NOTE: There must be only 1 "primary" unit. All other Aqua Rite units must be configured as "secondary".



5. Configuration Setup

After plumbing and wiring are complete, the Pro Logic MUST BE CONFIGURED before attempting to operate. Configuration information is entered at the keypad and "tells" the Pro Logic what equipment is connected and how each should be controlled.

Group Function

The latest version of the Pro Logic offers the ability to assign a Group function to a particular button. Instead of a button controlling one particular function, the button can be programmed to initiate a sequence of commands that are programmed in the Configuration Menu. For example, instead of the Lights button turning on and off the pool light only, the button can be programmed to turn on the pool light, turn on the bug light, turn off the pool cleaner, turn on and dim the patio lights, turn on the music, etc. all at the same time. This convenient feature is offered on all Aux buttons, both Valve buttons and the Lights button. The Pro Logic can be programmed to control up to four groups. Refer to this section when programming Group commands.

Before assigning and configuring all the desired functions and their control parameters, the group itself must be configured. The options for controlling groups are Manual On/Off, Countdown Timer, and Timeclock. The group will turn on and off based on this selection.

When setting up a Group function in the Configuration Menu, the first menu allows you to select the control parameter (how the group is activated and de-activated) and the second menu allows you to select which Pro Logic functions are to be controlled in the group.

A table of functions and their corresponding control parameters are listed below.

Function	Control Parameter
Pool/Spa	Unaffected, Pool only, Spa only, or Spillover
Pool Filter	Unaffected, Off, On, High, Low, On (Lowest to Highest)
Lights (standard relay)	Unaffected, Off, or On
Lights (dimmer relay)	Unaffected, Off, On (100%, 80%, 60%, 40%, or 20%)
Lights (VSP relay)	Unaffected, Off or On (10% to 100%)
Spa Filter	Unaffected, Off, On, High, Low, On (Lowest to Highest)
Aux1-14 (standard relay)	Unaffected, Off or On
Aux1-14 (dimmer relay)	Unaffected, Off, On (100%, 80%, 60%, 40%, or 20%)
Aux1-14 (VSP relay)	Unaffected, Off or On (10% to 100%)
Valve3	Unaffected, Off or On
Valve4	Unaffected, Off or On
Spa Htr1 Set	Unaffected, Off, 65°-104°F
Pool Htr1 Set	Unaffected, Off, 65°-104°F
Spa Htr2 Set	Unaffected, Off, 65°-104°F
Pool Htr2 Set	Unaffected, Off, 65°-104°F
Spa Solar Set	Unaffected, Off, 65°-104°F
Pool Solar Set	Unaffected, Off, 65°-104°F
SuperChlr	Unaffected, Off, On